



COMPLEX PROJECTS
REQUIRE RESOLVE
THRASHER'S GOT IT

**CITY OF BELMONT
PLEASANTS COUNTY, WEST VIRGINIA**

CONTRACT #2 – WATER TREATMENT PLANT UPGRADES

ADDENDUM #2

JULY 30, 2024

THRASHER PROJECT #T10-11028

TO WHOM IT MAY CONCERN:

The following are clarifications and responses to questions posed by contractors for the above-referenced project.

A. GENERAL

1. The final day for questions shall be COB Wednesday, July 31, 2024.

B. SPECIFICATIONS

1. **REMOVE** the Accommodation of Utilities on Highway Right of Way attachment included at the end of the Specifications.

C. DRAWINGS

1. **REPLACE** Sheet 1 included with this Addendum #2.
2. **REPLACE** Sheet 2 included with this Addendum #2.
3. **REPLACE** Sheet 4 included with this Addendum #2.
4. **REPLACE** Sheet E3 included with this Addendum #2.

D. QUESTIONS AND RESPONSES

1. QUESTION

Will an office trailer be required to be provided for and/or by Contract #2?

RESPONSE

No.

2. QUESTION

Does the owner have an area at or near the plant for a lay down area/storage/contractor's office lot?

RESPONSE

Yes.

3. QUESTION

How many project signs are required to be provided and which contract(s) will provide them?

RESPONSE

There are two (2) project signs required for this project. Contract #2 shall provide the contract signs to meet the specifications as required in the contract documents.

4. QUESTION

Are any B&O Taxes and/or other local taxes and fees required for this contract? If so, will you provide the amount that the contractor will be required to pay for these fees?

RESPONSE

No B&O Taxes are required for this project.

5. QUESTION

Who do we contact to schedule a site visit to the plant and the stations, and how do we contact that person?

RESPONSE

Mayor Tim Barnes. (304)-210-5885

6. QUESTION

Will any field painting be required, besides touching up equipment? If so, will you provide a spec for Painting and Coating?

RESPONSE

No field painting will be required besides touching up equipment.

7. QUESTION

There is an area on the Existing Filter Building – Demolition Plan (Sheet 1) that shows as coded note #4. There is not a description in the Demolition Notes on that sheet for note #4. Will you provide that description?

RESPONSE

Drawing Sheet 1 has been revised and is enclosed with this Addendum #1.

8. QUESTION

Is the Contractor required to purchase the filter skid? If so, could specifications be provided for the items and skid detail?

RESPONSE

Yes. See Specification Section 466121 – Pressure Filters.

9. QUESTION

Will you provide the Manufacturer and Type for the Existing MDP “A” panel?

RESPONSE

Square D I-Line Panel Board 277/480V 600A Series E1.
Catalog #1210291354002.

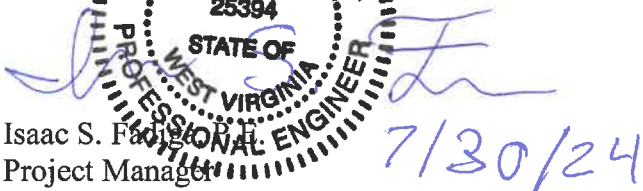
E. CLARIFICATIONS

1. The allowable markup for Sub-Contractor work shall be 5% as dictated in Article 13 of the General Conditions.
2. Project signs will be provided and installed by the Contract 2 Contractor.
3. The office trailer will be provided by Contract 1 Contractor.

If you have any questions or comments, please feel free to contact me at your earliest convenience. As a reminder, bids will be received until 2:00 p.m. on Thursday, August 8, 2024 at 218 Main Street, Belmont, WV. Good luck to everyone and thank you for your interest in the project.

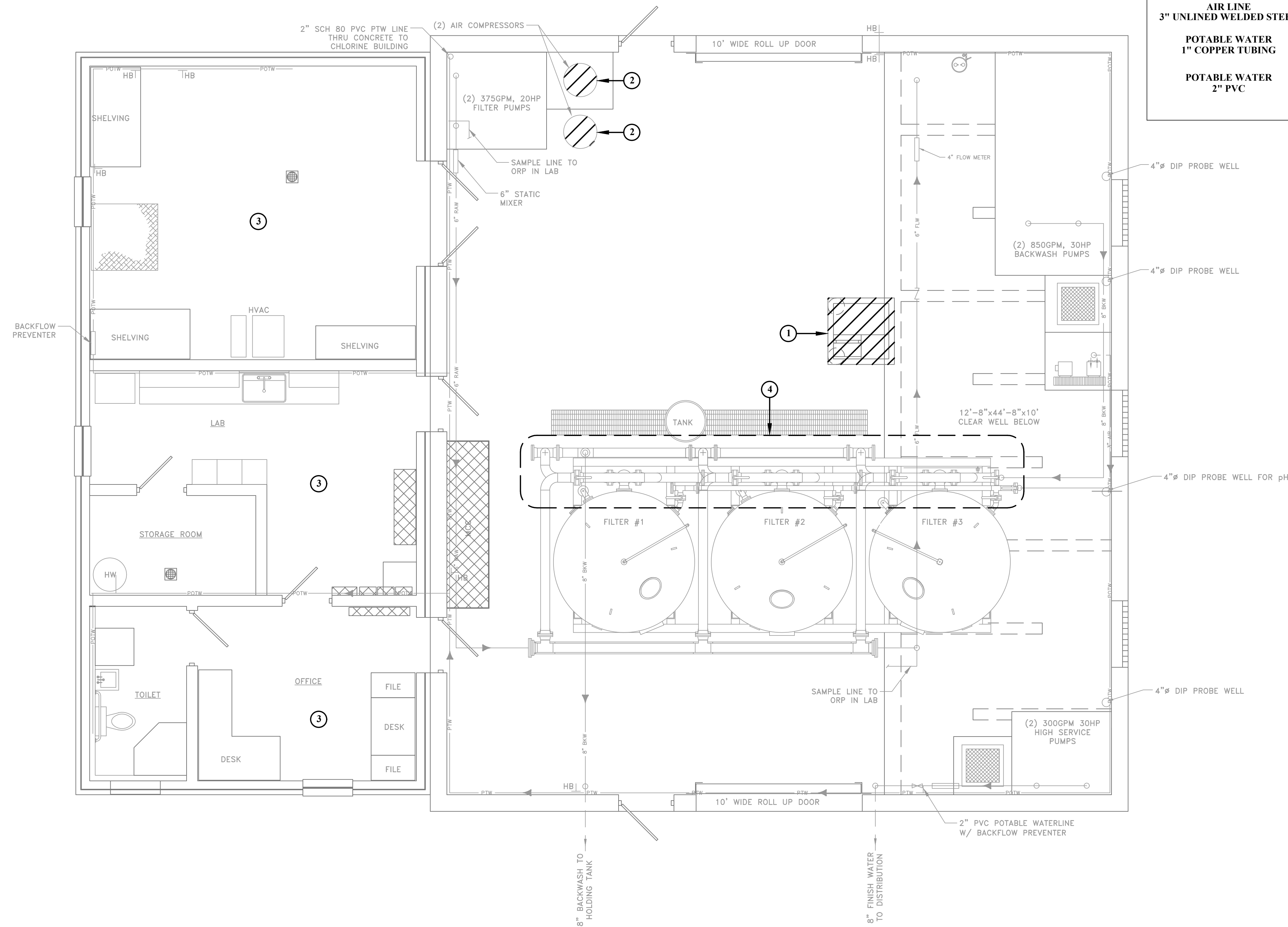
Sincerely,

THE TRASSER GROUP, INC.


Isaac S. Fadiga
Project Manager

- Enclosures:
- Revised Drawing Sheet 1
 - Revised Drawing Sheet 2
 - Revised Drawing Sheet 4
 - Revised Drawing Sheet E3

LAYOUT TAG: Sheet 1
 CAD FILE: R:\010\11028-City Of Belmont-Rt 2 Wl Ext\300 - Design\2. Design Drawings\Contract 2 - WTP Upgrade\2-02-Ex-Filter Bldg.dwg
 PLOT DATE/TIME: 7/30/2024 11:27 AM



EXISTING FILTER BUILDING - DEMOLITION PLAN
 SCALE 1/4" = 1'-0"

LEGEND

BACKWASH WATER 8" WELDED STEEL	— BKW —
RAW UNTREATED WATER 6" WELDED STEEL	— RAW —
PLANT FINISH WATER 8" WELDED STEEL	— FNW —
FILTERED WATER 6" WELDED STEEL	— FLW —
AIR LINE 3" UNLINED WELDED STEEL	— AIR —
POTABLE WATER 1" COPPER TUBING	— POTW —
POTABLE WATER 2" PVC	— PTW —

GENERAL NOTES:

- ALL DEMOLITION ACTIVITIES SHALL BE COORDINATED WITH THE OWNER.
- CONTRACTOR SHALL REMOVE ALL EXISTING EQUIPMENT TO LOCATION DESIGNATED BY OWNER.
- ALL WORK SHALL BE COORDINATED WITH THE CONSTRUCTION SEQUENCE OF EVENTS. SEE SPECIFICATION 011000.
- ALL ITEMS TO BE DISPOSED SHALL BE IN ACCORDANCE WITH ALL LOCAL, STATE AND FEDERAL REGULATIONS.
- CONTRACTOR SHALL FIELD VERIFY ALL STRUCTURE DIMENSIONS PRIOR TO ORDERING EQUIPMENT.
- OWNER SHALL HAVE THE OPTION TO SALVAGE ANY EQUIPMENT AND/OR METALS REMOVED BY THE CONTRACTOR. ANY MATERIALS NOT SALVAGED BY OWNER SHALL BE PROPERLY DISPOSED OF BY CONTRACTOR.

DEMOLITION NOTES:

- CONTRACTOR SHALL RELOCATE EXISTING PNEUMATIC AIR VALVE CONTROL PANEL AND REMOVE CONCRETE SUPPORTS AS NECESSARY TO INSTALL NEW PRESSURE FILTER SKID. CONTRACTOR SHALL REMOVE EXISTING PNEUMATIC AIR VALVE CONTROL PANEL IN ACCORDANCE WITH CONSTRUCTION SEQUENCE.
- CONTRACTOR SHALL REMOVE EXISTING AIR COMPRESSORS. (TYP. OF 2)
- MISCELLANEOUS MECHANICAL AND ELECTRICAL DEMO AND IMPROVEMENTS. REFER TO MECHANICAL AND ELECTRICAL SHEETS.
- CONTRACTOR SHALL REMOVE PNEUMATIC AIR VALVES ON EXISTING PRESSURE FILTER SKID. REFER TO EXISTING VALVE SCHEDULE THIS SHEET.

EXISTING PRESSURE FILTER VALVES		
# OF VALVES	SIZE	PURPOSE
3	2"	FAST RINSE
3	2"	PERMANGANATE (REGENERATION)
3	8"	BACKWASH INLET
3	6"	RAW WATER INLET
3	8"	BACKWASH OUTLET
3	6"	RINSE OUTLET
3	6"	FILTERED WATER OUTLET
3	4"	DRAIN DOWN
3	3"	AIR INLET

LEGEND

ITEM TO BE REPLACED

ADDENDUM #2

THE INFORMATION CONTAINED HEREIN IS THE SOLE PROPERTY OF THE THRASHER GROUP, INC. REPRODUCTION OF THESE DOCUMENTS IN WHOLE OR IN PART, FOR ANY REASON WITHOUT PRIOR WRITTEN PERMISSION, IS STRICTLY PROHIBITED.

NO.	BY	DATE	DESCRIPTION
1	ISF	7/30/24	ADDENDUM #2 - ADDED DEMOLITION NOTE 4

SCALE: AS SHOWN
 DRAWN: R. STOWERS DATE: 2/2024
 CHECKED: I. FADIGA DATE: 2/2024
 APPROVED: I. FADIGA DATE: 2/2024
 SURVEY DATE:
 SURVEY BY:
 FIELD BOOK No.:

THRASHER
 THE THRASHER GROUP INC.
 CIVIL • ENVIRONMENTAL • CONSULTING • FIELD SERVICES
 1000 CORPORATE LANDING, CHARLESTON, WV 25311
 PHONE (304) 343-7601 • FAX (304) 343-7604

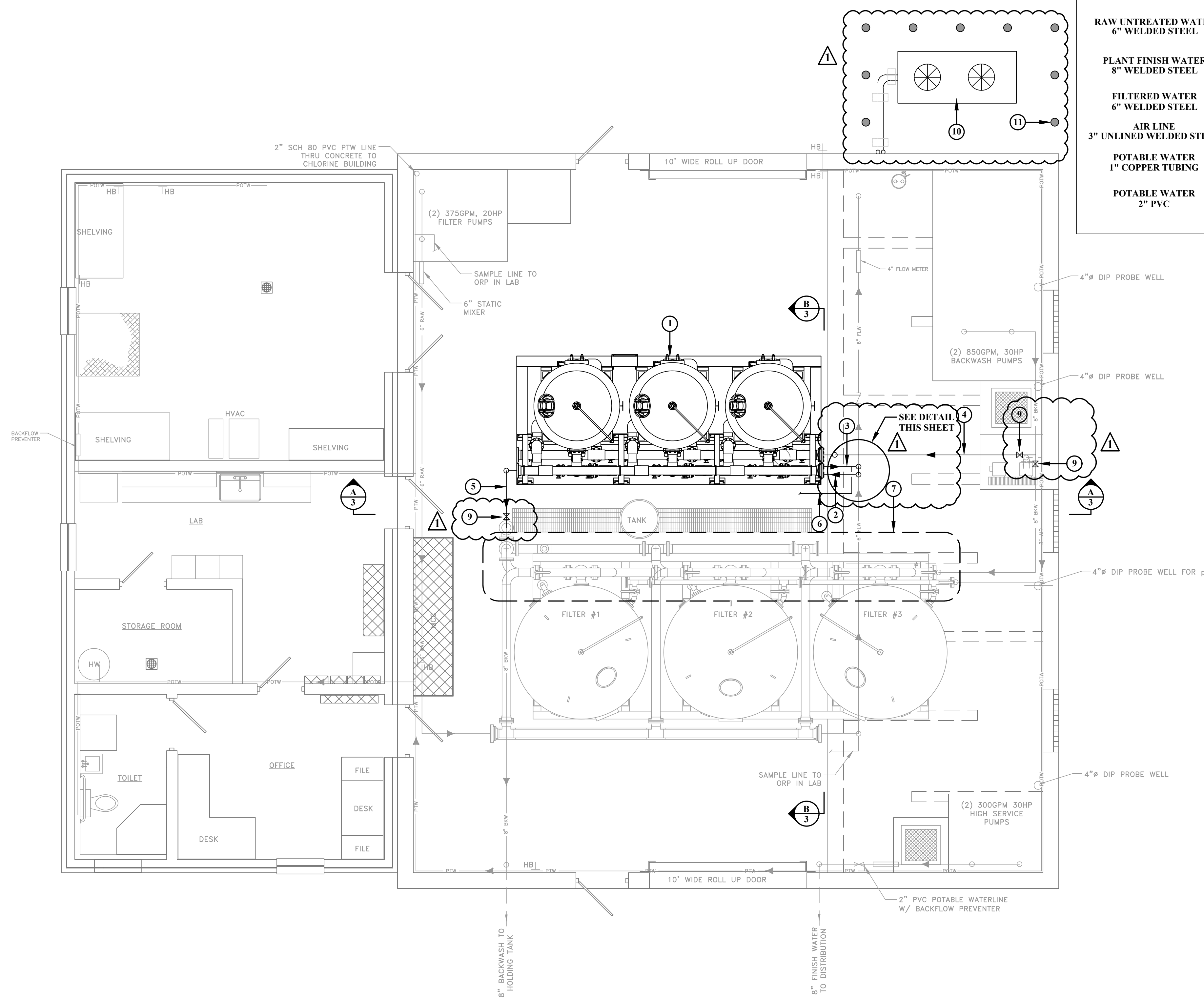
PHASE No.	
CONTRACT No.	2
PROJECT No.	T10-11028

CITY OF BELMONT
 WATER SYSTEM IMPROVEMENTS PROJECT
 WATER TREATMENT PLANT UPGRADE
 EXISTING FILTER BUILDING
 DEMOLITION PLAN

SHEET No.

1

LAYOUT TAG: Sheet 2
 CAD FILE: R:\010\11028-City of Belmont-Rt 2 Wl Ext\300 - Design\2. Design Drawings\Contract 2 - WTP Upgrade\2-02-Ex-Filter Bldg.dwg
 PLOT DATE/TIME: 7/30/2024 11:39 PM



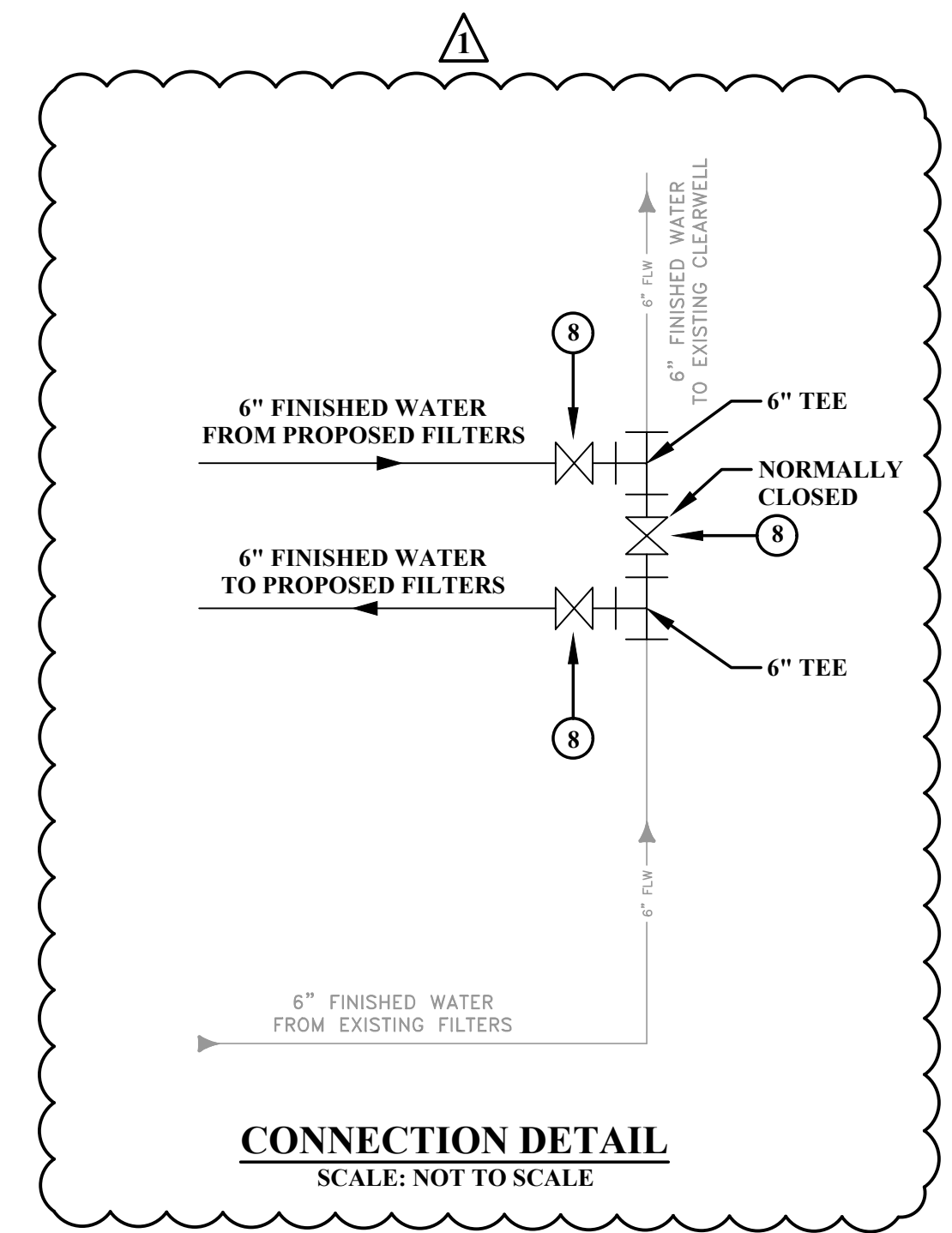
LEGEND	
BACKWASH WATER 8" WELDED STEEL	— BKW —
RAW UNTREATED WATER 6" WELDED STEEL	— RAW —
PLANT FINISH WATER 8" WELDED STEEL	— FNW —
FILTERED WATER 6" WELDED STEEL	— FLW —
AIR LINE 3" UNLINED WELDED STEEL	— AIR —
POTABLE WATER 1" COPPER TUBING	— POTW —
POTABLE WATER 2" PVC	— PTW —

- GENERAL NOTES:**
- ALL WORK SHALL BE COORDINATED WITH THE CONSTRUCTION SEQUENCE OF EVENTS. SEE SPECIFICATION 011000.
 - CONTRACTOR SHALL FIELD VERIFY ALL STRUCTURE DIMENSIONS PRIOR TO ORDERING EQUIPMENT.

- KEY NOTES:**
- PRESSURE FILTER SKID. SEE SHEET 4 FOR DETAILS.
 - 6" DIP FROM EXISTING 6" (FLW) FILTERED WATER EFFLUENT TO PROPOSED PRESSURE FILTER INFLUENT.
 - 6" DIP FROM PROPOSED PRESSURE FILTER EFFLUENT TO EXISTING 6" (FLW) FILTER WATER TO CLEARWELL.
 - 6" DIP FROM EXISTING 6" (BKW) BACKWASH TO PROPOSED PRESSURE FILTER BACKWASH SUPPLY. CONTRACTOR SHALL INSTALL (2) TWO 6" MANUAL GATE VALVES FOR ISOLATION.
 - 6" DIP FROM PROPOSED PRESSURE FILTER BACKWASH RETURN TO EXISTING 8" BACKWASH RETURN FROM EXISTING FILTERS.
 - 1" SAMPLE LINE TO ORP IN LAB.
 - CONTRACTOR SHALL INSTALL NEW ELECTRIC ACTUATED BUTTERFLY VALVES. REFER TO VALVE SCHEDULE BELOW FOR DETAILS.
 - PROPOSED 6" GATE VALVES. (TYP. OF 3)
 - PROPOSED 8" GATE VALVES. (TYP. OF 3)
 - DEHUMIDIFIER CONDENSING UNIT. REFER TO SHEET M3 FOR DETAILS.
 - 6" STEEL BOLLARD, TYP.

EXISTING PRESSURE FILTER VALVES		
# OF VALVES	SIZE	PURPOSE
3	2"	FAST RINSE
3	2"	PERMANGANATE (REGENERATION)
3	8"	BACKWASH INLET
3	6"	RAW WATER INLET
3	8"	BACKWASH OUTLET
3	6"	RINSE OUTLET
3	6"	FILTERED WATER OUTLET
3	4"	DRAIN DOWN
3	3"	AIR INLET

EXISTING FILTER BUILDING - IMPROVEMENT PLAN
 SCALE 1/4" = 1'-0"



ADDENDUM #2

NO.	BY	DATE	DESCRIPTION
1	ISF	7/30/24	ADDENDUM #2 - ADDED NOTES 8-11 & CONNECTION DETAIL

SCALE: AS SHOWN
DRAWN: R. STOWERS DATE: 2/2024
CHECKED: I. FADIGA DATE: 2/2024
APPROVED: I. FADIGA DATE: 2/2024
SURVEY DATE:
SURVEY BY:
FIELD BOOK No.:

THRASHER
 THE THRASHER GROUP INC.
 CIVIL • ENVIRONMENTAL • CONSULTING • FIELD SERVICES
 1000 CORPORATE LANDING, CHARLESTON, WV 25311
 PHONE (304) 343-7601 • FAX (304) 343-7604

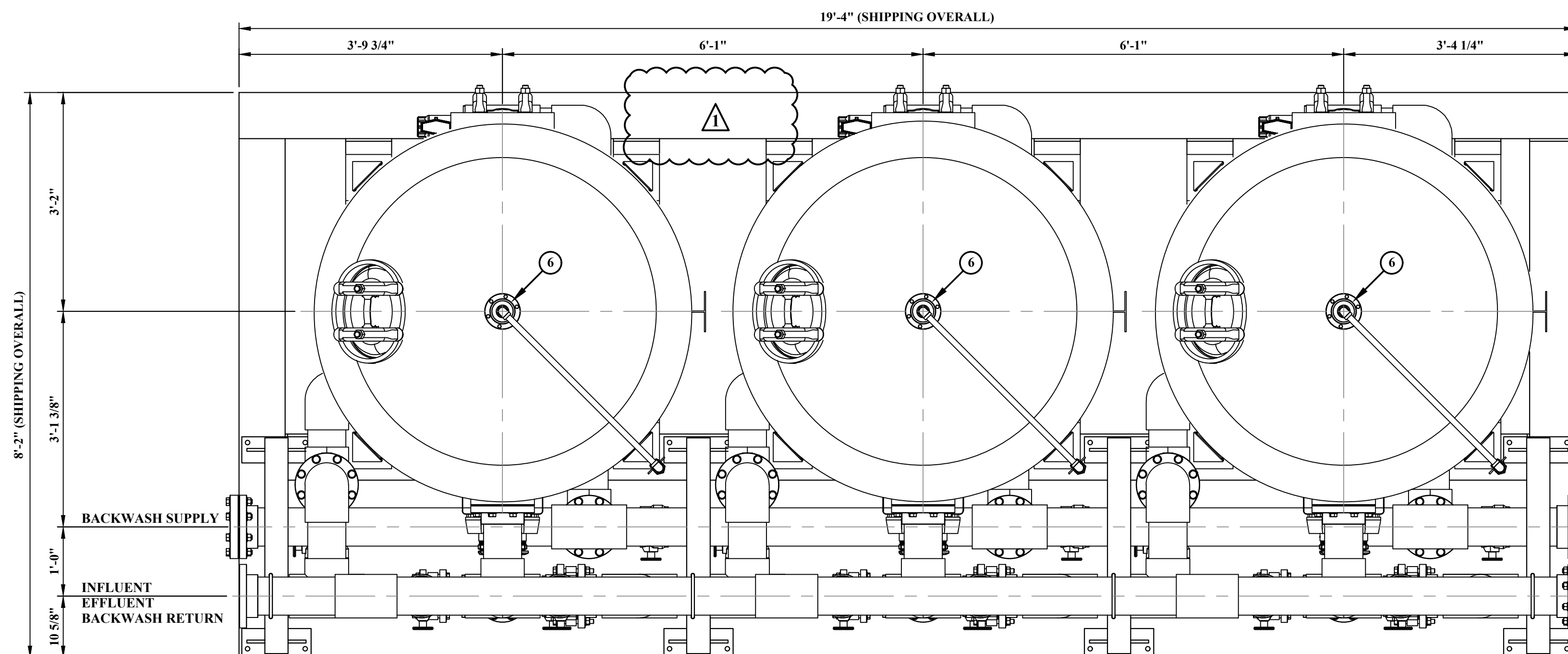
PHASE No.
CONTRACT No.
2
PROJECT No.
T10-11028

CITY OF BELMONT
 WATER SYSTEM IMPROVEMENTS PROJECT
 WATER TREATMENT PLANT UPGRADE
 EXISTING FILTER BUILDING
 IMPROVEMENT PLAN

SHEET No.
2

THE INFORMATION CONTAINED HEREIN IS THE SOLE PROPERTY OF THE THRASHER GROUP, INC. REPRODUCTION OF THESE DOCUMENTS IN WHOLE OR IN PART, FOR ANY REASON WITHOUT PRIOR WRITTEN PERMISSION, IS STRICTLY PROHIBITED.

LAYOUT TAG: Sheet 4
 CAD FILE: R:\010\11028-City of Belmont Rt 2 Wl Ext\300 - Design\2. Design Drawings\Contract 2 - WTP Upgrade\2-02-Ex Filter Bldg.dwg
 PLOT DATE/TIME: 7/30/2024 11:29 AM



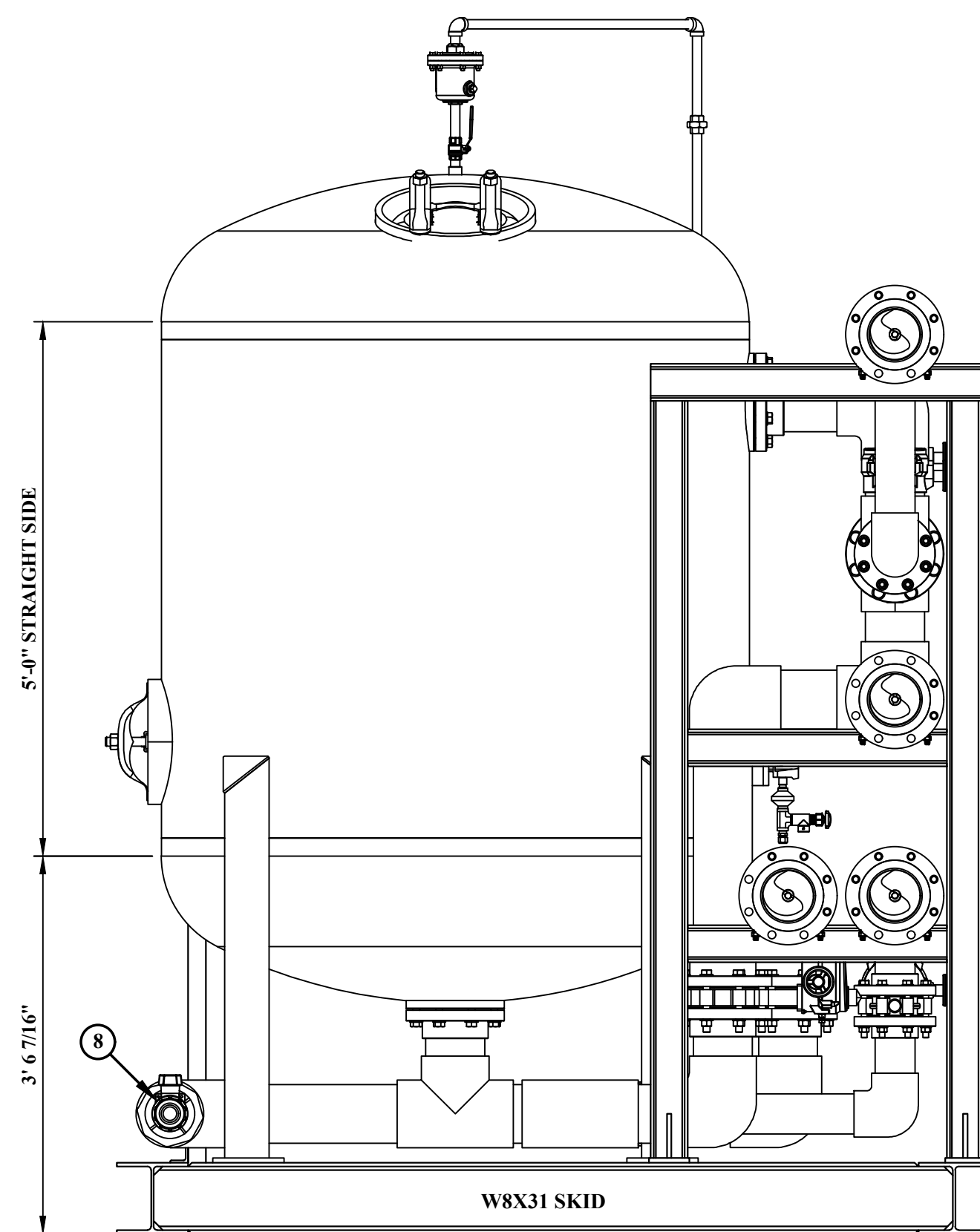
PLAN VIEW
 SCALE 3/4" = 1'-0"

GENERAL NOTES:

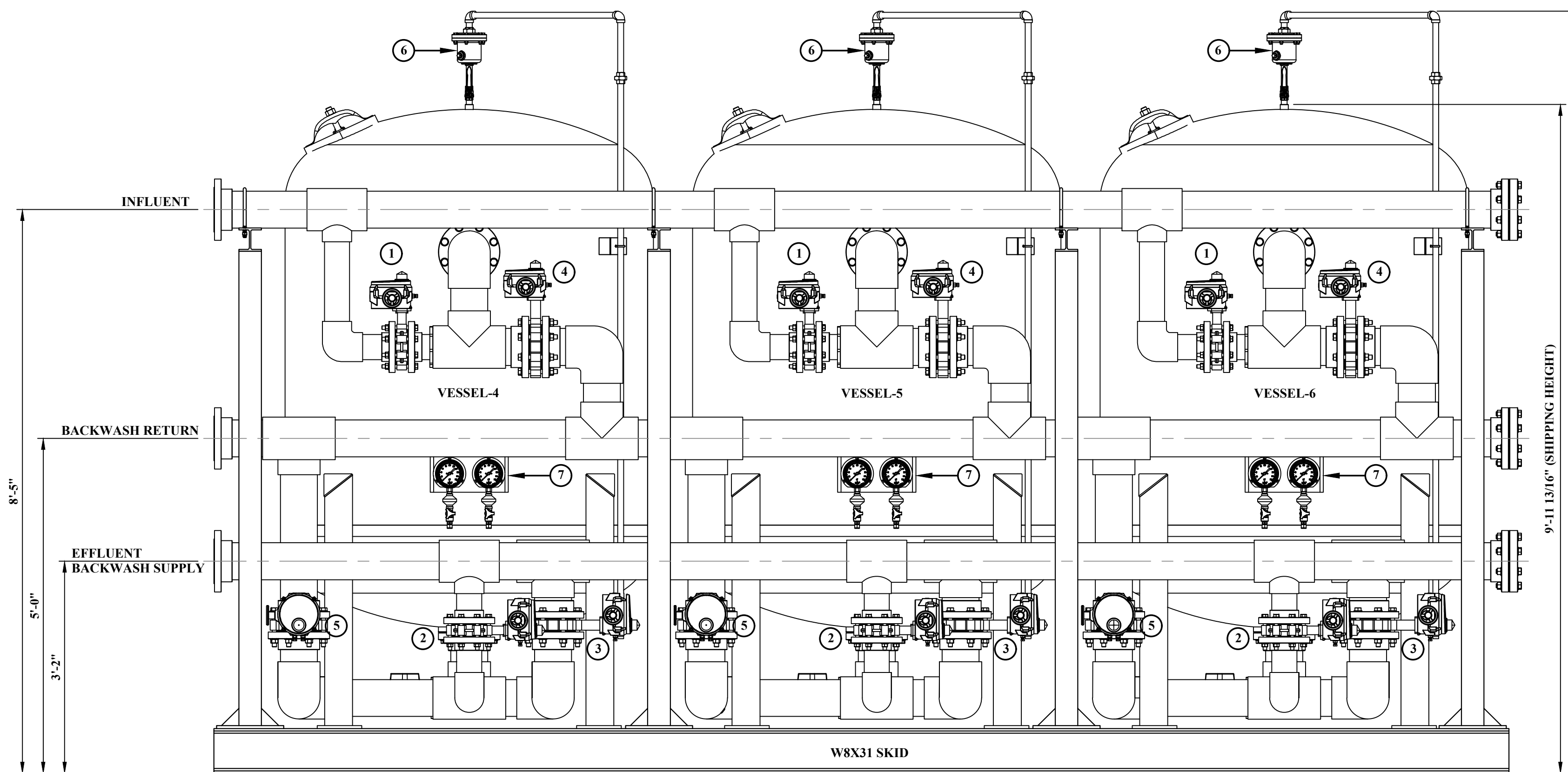
1. SKID LAYOUT IS GENERAL ARRANGEMENT. SEE SHEETS 2 & 3 FOR CONNECTION POINTS.

KEY NOTES:

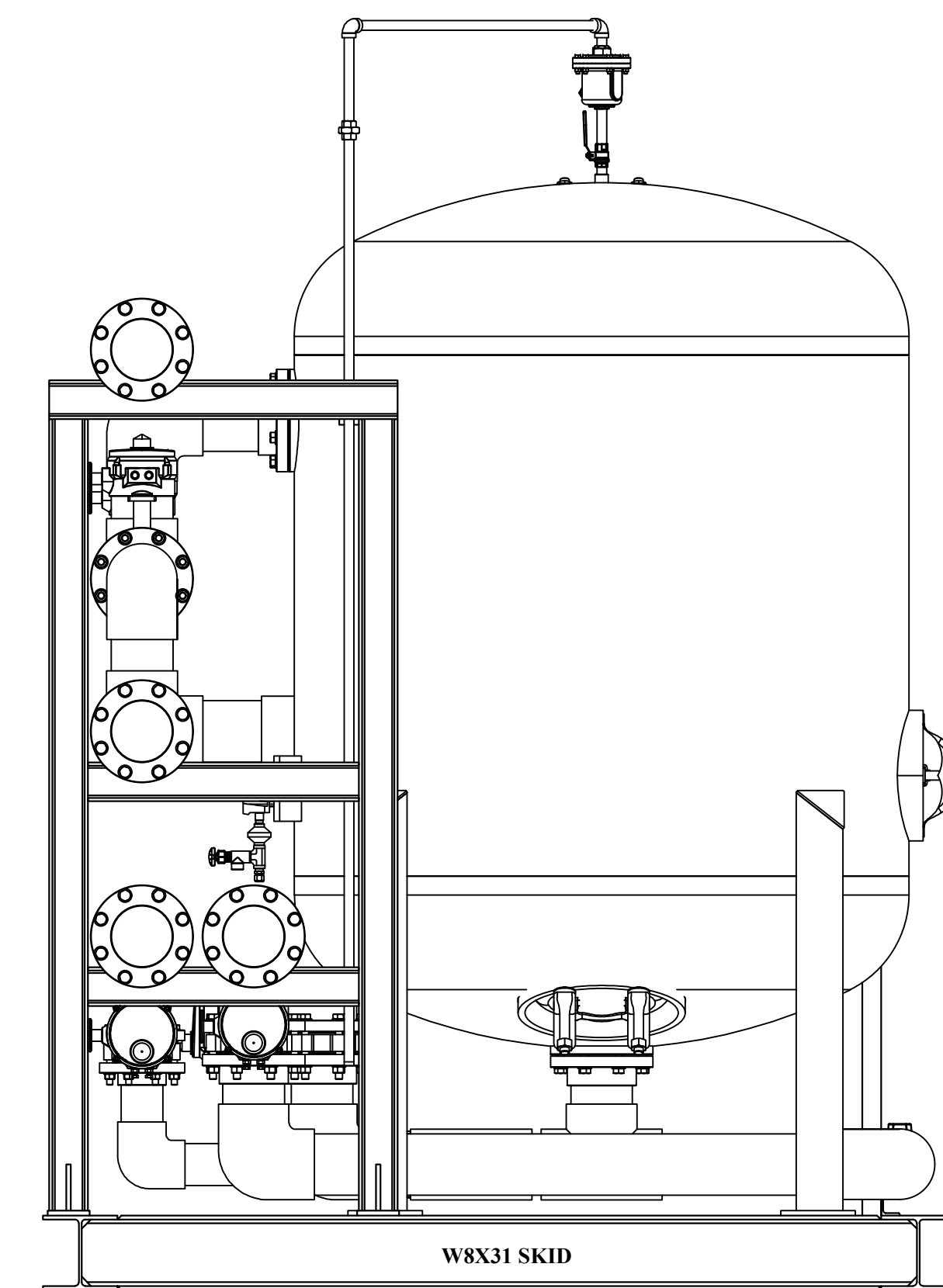
- 1 4" BUTTERFLY VALVE. (INFLUENT CONTROL VALVE)
- 2 4" BUTTERFLY VALVE. (EFFLUENT CONTROL VALVE)
- 3 6" BUTTERFLY VALVE. (BACKWASH RETURN CONTROL VALVE)
- 4 6" BUTTERFLY VALVE. (BACKWASH SUPPLY CONTROL VALVE)
- 5 6" BUTTERFLY VALVE. (RINSE CONTROL VALVE)
- 6 3/4" AIR RELEASE.
- 7 LOSS OF HEAD GAUGES W/ SAMPLE CONNECTION.
- 8 VESSEL DRAIN.



LEFT SIDE ELEVATION VIEW
 SCALE 3/4" = 1'-0"



FRONT ELEVATION VIEW
 SCALE 3/4" = 1'-0"



RIGHT SIDE ELEVATION VIEW
 SCALE 3/4" = 1'-0"

ADDENDUM #2

NO.	BY	DATE	DESCRIPTION
1	ISF	7/30/24	ADDENDUM #2 - ADD GEN. NOTE & DEL. NOTE 9 & CONTROL PANEL

SCALE: AS SHOWN
DRAWN: R. STOWERS DATE: 2/2024
CHECKED: I. FADIGA DATE: 2/2024
APPROVED: I. FADIGA DATE: 2/2024
SURVEY DATE:
SURVEY BY:
FIELD BOOK No.:

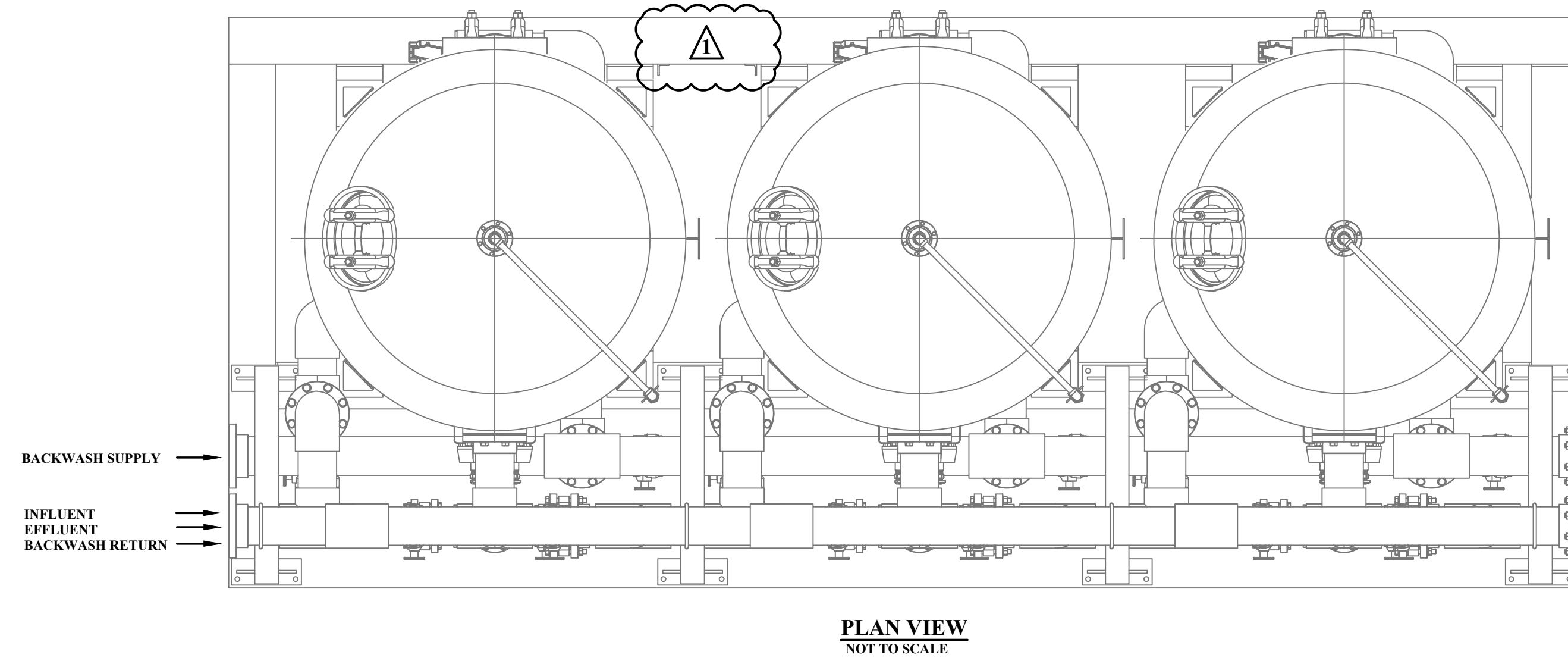
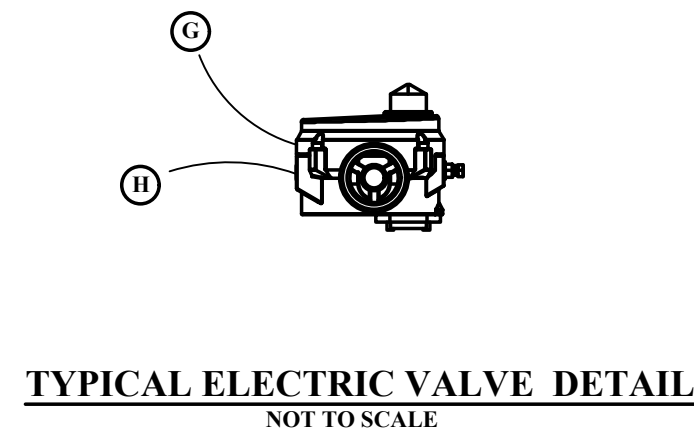
THRASHER
 THE THRASHER GROUP INC.
 CIVIL • ENVIRONMENTAL • CONSULTING • FIELD SERVICES
 1000 CORPORATE LANDING, CHARLESTON, WV 25311
 PHONE (304) 343-7601 • FAX (304) 343-7604

PHASE No.
CONTRACT No.
2
PROJECT No.
T10-11028

CITY OF BELMONT
 WATER SYSTEM IMPROVEMENTS PROJECT
 WATER TREATMENT PLANT UPGRADE
 EXISTING FILTER BUILDING
 PROPOSED PRESSURE FILTER DETAILS

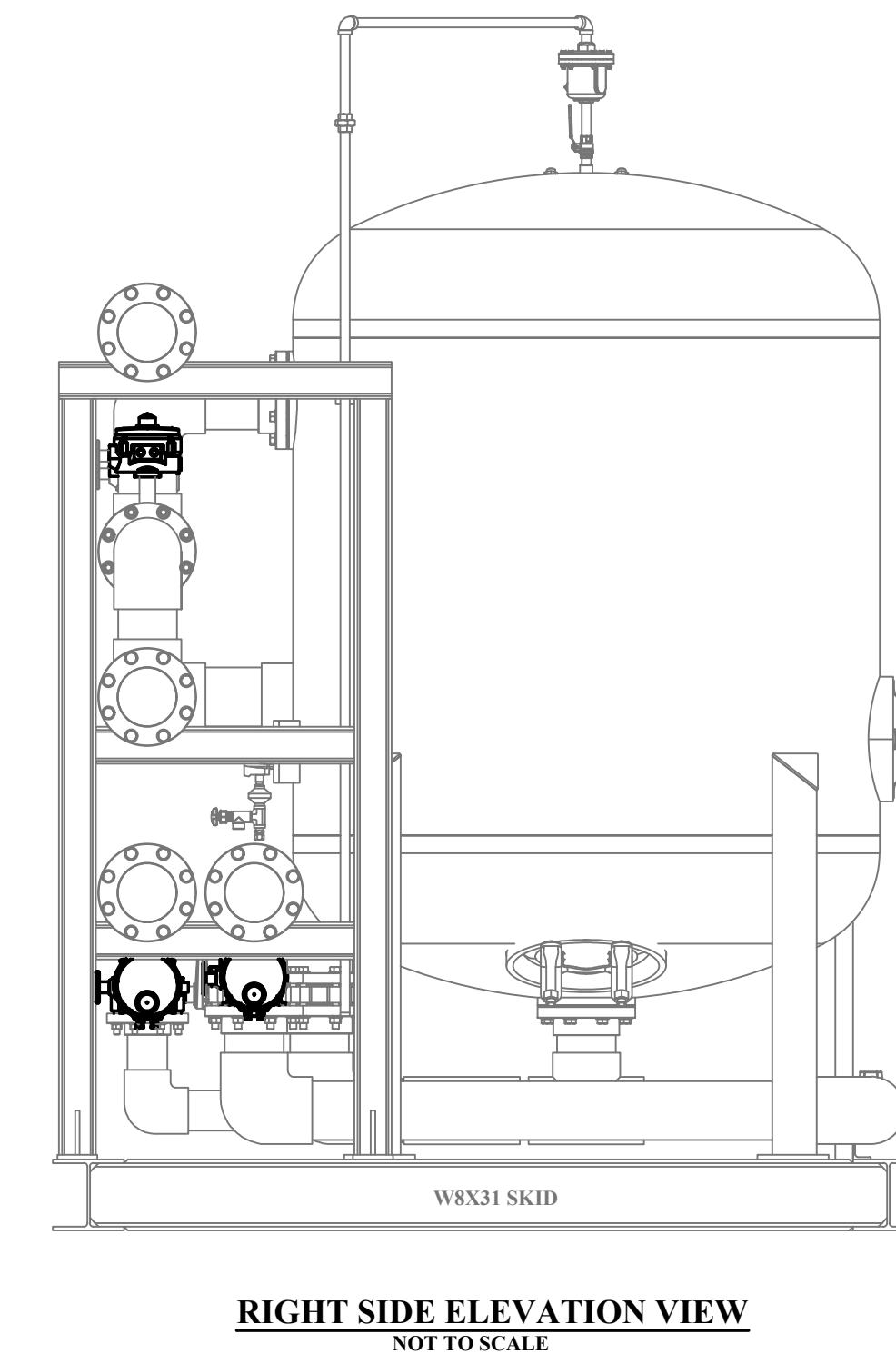
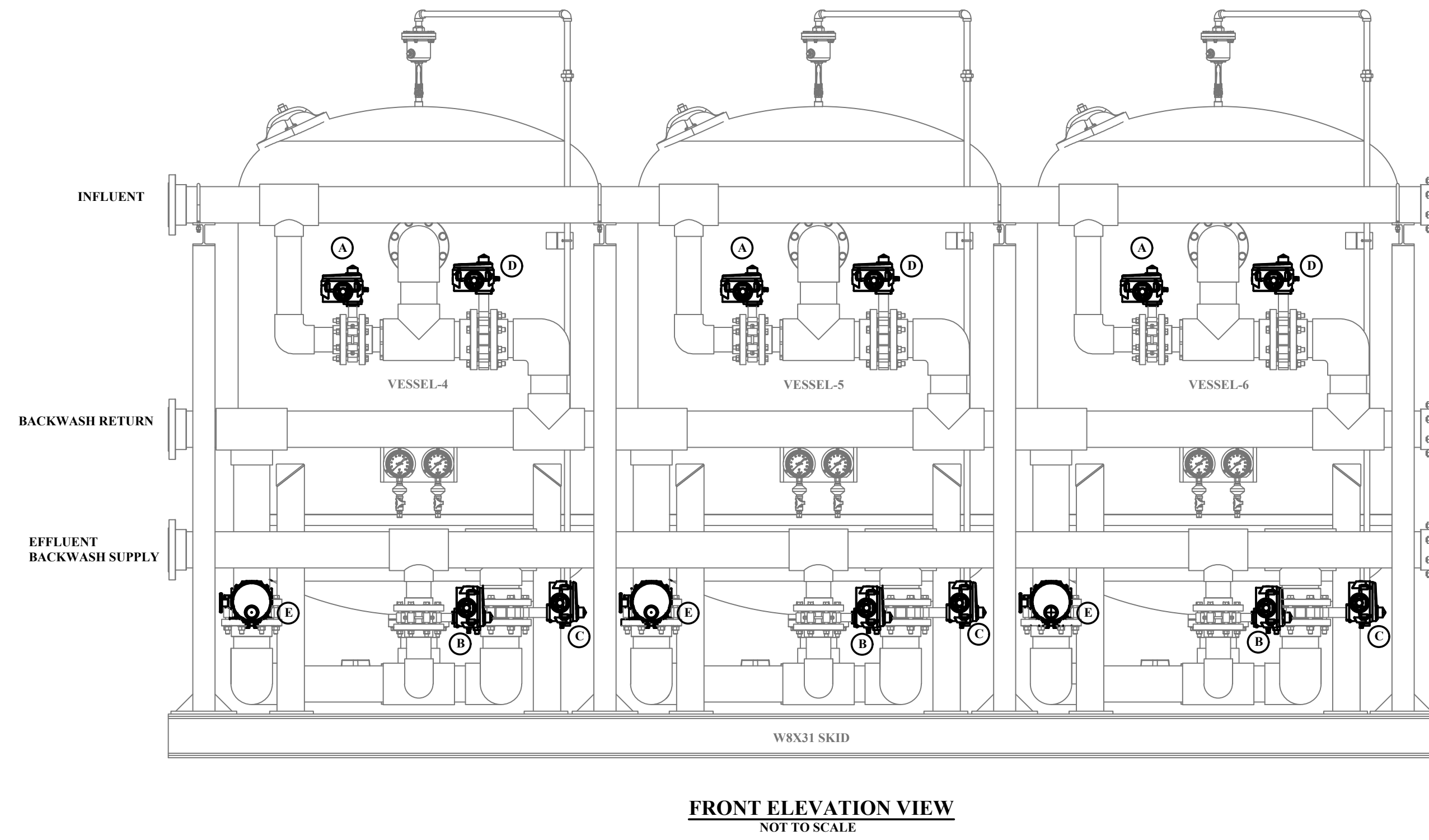
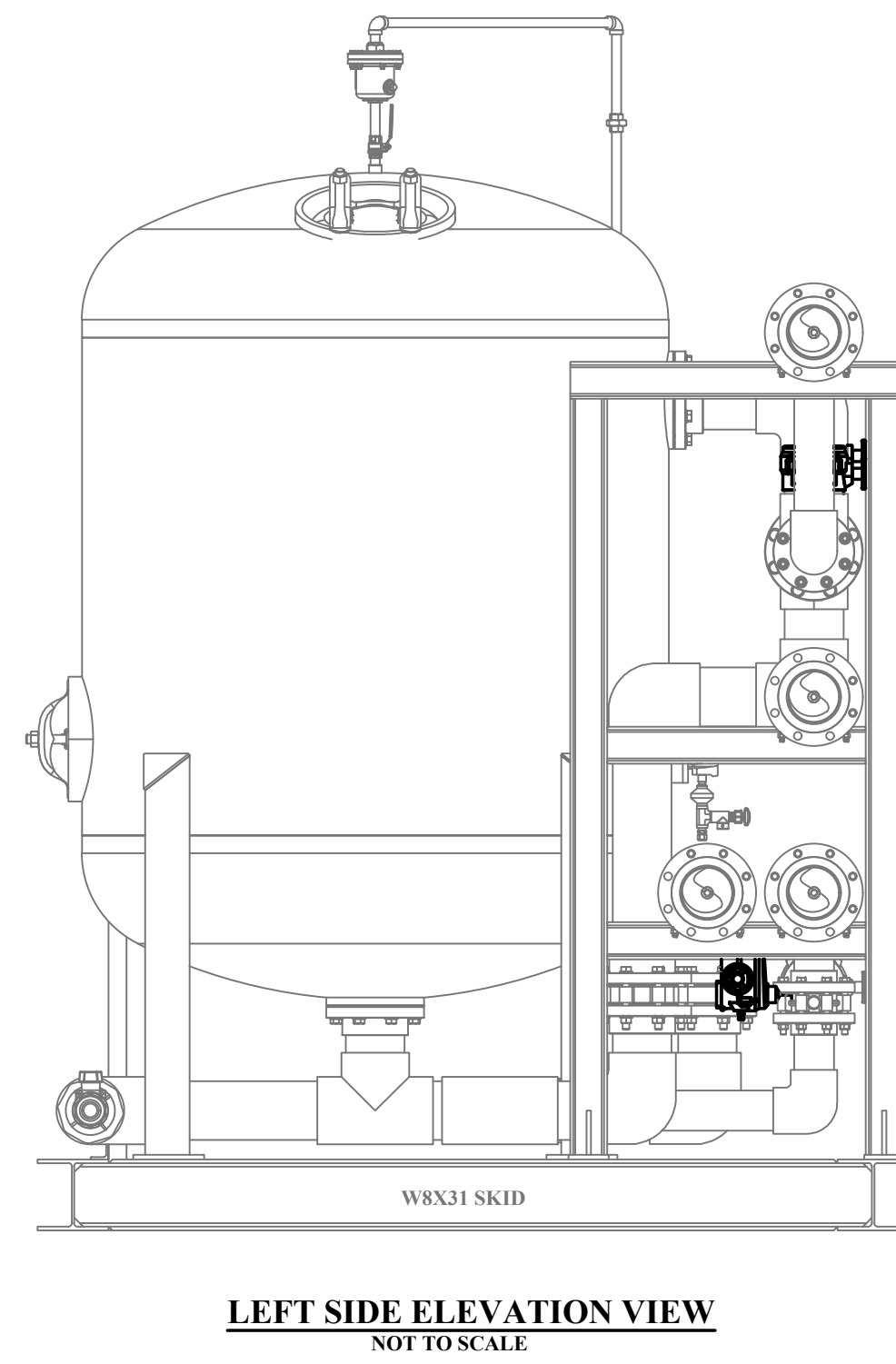
SHEET No.
4

LAYOUT TAG: SHEET E3
 CAD FILE: R:\D\0\110-11028-City Of Belmont Rt 2 Wl Ext\300 - Design\2. Design Drawings\Contract 2 - WTP Upgrade\2-020-Electrical.dwg
 PLOT DATE/TIME: 7/30/2024 12:31 PM



- KEY NOTES:**
- (A) 4" BUTTERFLY VALVE. (INFLUENT CONTROL VALVE)
 - (B) 4" BUTTERFLY VALVE. (EFFLUENT CONTROL VALVE)
 - (C) 6" BUTTERFLY VALVE. (BACKWASH RETURN CONTROL VALVE)
 - (D) 6" BUTTERFLY VALVE. (BACKWASH SUPPLY CONTROL VALVE)
 - (E) 6" BUTTERFLY VALVE. (RINSE CONTROL VALVE)
 - (F) NOT USED
 - (G) 3/4" CONDUIT WITH 4-#12 WIRES AND 1-#12 GROUND FROM NEW VALVE ACTUATOR CONTROL PANEL FOR ACTUATOR MOTOR POWER.
 - (H) 3/4" CONDUIT WITH TWO (2) SHIELDED 4-20ma CABLE AND #12 CONTROL WIRES FOR ACTUATOR CONTROLS PER MANUFACTURERS SPECIFICATIONS FROM NEW VALVE ACTUATOR CONTROL PANEL.

- GENERAL ELECTRICAL NOTES:**
1. EACH ELECTRIC VALVE ACTUATOR CONTAINS TWO CONDUITS FED FROM THE NEW CONTROL PANEL. ONE CONDUIT IS FOR POWER WIRES AND ONE CONDUIT IS FOR CONTROL WIRING.
 2. EACH OF THE ACTUATOR CABLES RUN UP TO THE WIRE TRAY, RUN IN THE TRAY AND THEN DOWN TO THE CONTROL PANEL.



NEW FILTER VALVE ACTUATORS PLAN

ADDENDUM #2

THE INFORMATION CONTAINED HEREIN IS THE SOLE PROPERTY OF THE THRASHER GROUP, INC. REPRODUCTION OF THESE DOCUMENTS IN WHOLE OR IN PART, FOR ANY REASON WITHOUT PRIOR WRITTEN PERMISSION, IS STRICTLY PROHIBITED.

NO.	BY	DATE	DESCRIPTION
1	ISF	7/30/24	ADDENDUM #2 - NOTE "F" REMOVED AND NOTE "H" REVISED

SCALE: AS SHOWN
DRAWN: R. STOWERS DATE: 2/2024
CHECKED: I. FADIGA DATE: 2/2024
APPROVED: I. FADIGA DATE: 2/2024
SURVEY DATE:
SURVEY BY:
FIELD BOOK No.:

THRASHER
 THE THRASHER GROUP INC.
 CIVIL • ENVIRONMENTAL • CONSULTING • FIELD SERVICES
 1000 CORPORATE LANDING, CHARLESTON, WV 25311
 PHONE (304) 343-7601 • FAX (304) 343-7604

PHASE No.
CONTRACT No.
2
PROJECT No.
T10-11028

CITY OF BELMONT
 WATER SYSTEM IMPROVEMENTS PROJECT
 WATER TREATMENT PLANT UPGRADE
 EXISTING FILTER BUILDING
 NEW ACTUATORS CONTROL PLAN

SHEET No.
E3