

BERKELEY COUNTY PUBLIC SERVICE SEWER DISTRICT BERKELEY COUNTY, WEST VIRGINIA

CONTRACT #10 – OPEQUON HEDGESVILLE WWTP UPGRADES

ADDENDUM #3

April 12, 2022

THRASHER PROJECT NO. 020-10042



TO WHOM IT MAY CONCERN:

A Non-Mandatory Pre-Bid Conference was held at 2 PM on Tuesday, March 8, 2022, for the above-referenced project. A copy of the notes from that meeting and the sign-in sheet were enclosed with Addendum #1.

The following may include changes regarding general items, specifications, and drawings, responses to questions received prior to the conference, at the conference, and after the conference, and clarifications.

Description(s) of equipment, materials, and/or products approved “as equal” to date prior to bid opening may also be provided in this Addendum. Please note that these approvals/disapprovals are made by the Engineer for this specific project based on the best available information and shall not be construed as precedent for approval/disapproval on other future projects of The Thrasher Group, Inc. **The Contractor shall be responsible for any and all changes necessary to accommodate any approved “as equal” equipment, materials, and/or products at no additional cost to the Owner.**

Attention is directed to the fact that while information provided in this Addendum may reference specific locations in the Plans and Specifications, the information provided shall be applied to all applicable locations in the Plans and Specifications.

Please acknowledge receipt of all Addenda in the Bid Opening Requirements and in the Bid Form.

A. GENERAL

1. Bidders are hereby notified to acknowledge receipt of all addenda in space provided on the Bid Form.

B. SPECIFICATIONS

None.

C. DRAWINGS

1. **REPLACE** Sheet 5, 6, 7, 7A, 7B, 9, P1, and P2 included with this Addendum No.3.

D. CLARIFICATIONS

1. Sheets provided by JDV are for informational purposes only. The Vendor is currently providing submittals for Engineer's Review.

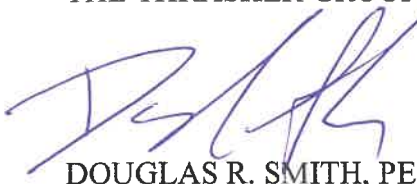
E. QUESTIONS AND RESPONSES

N/A

If you have any questions or comments, please feel free to contact me at your earliest convenience. As a reminder, bids will be received until 2:00 p.m. on April 19, 2022, at the Berkeley County Public Service Sewer District's Office, 65 District Way, Martinsburg, WV 25404.

Sincerely,

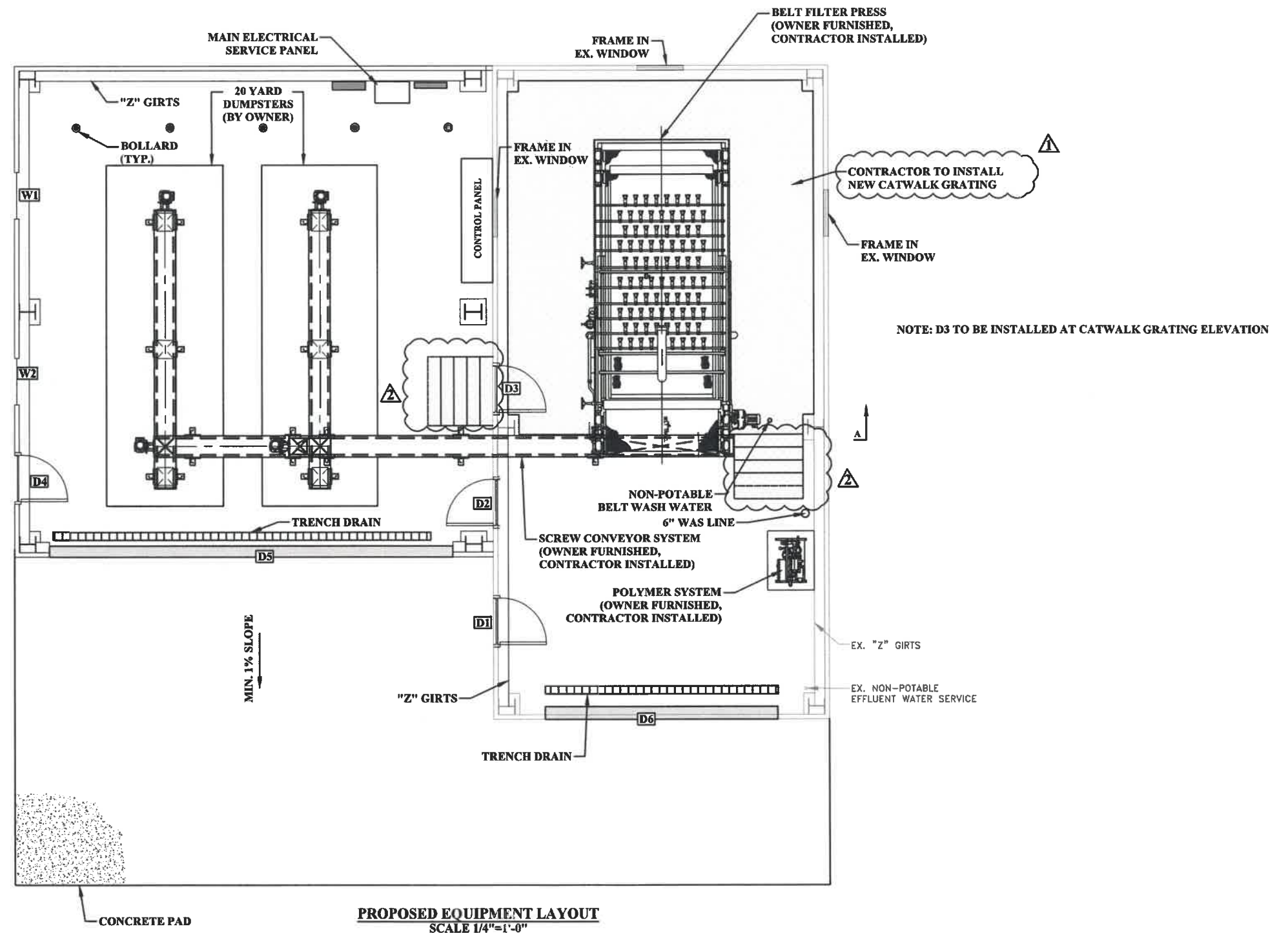
THE THRASHER GROUP, INC.



DOUGLAS R. SMITH, PE
Project Manager

Enclosures: All Replaced Plan Sheets

LAYOUT TAB: 5 Floor
 CAD FILE: R:\020\020-10042 BERKELEY 04 UPGRADES\Drawing\000-SHT-05 Building Plans.dwg
 PLOT DATE/TIME: 4/12/2022 8:20 AM
 USER: andrew anyra



THE INFORMATION CONTAINED HEREIN IS THE SOLE PROPERTY OF THE THRASHER GROUP INC. REPRODUCTION OF THESE DOCUMENTS IN WHOLE OR IN PART, FOR ANY REASON WITHOUT PRIOR WRITTEN PERMISSION, IS STRICTLY PROHIBITED.

NO.	BY	DATE	DESCRIPTION
1	AS	3/15/22	ADDENDUM #2
2	AS	4/12/22	ADDENDUM #3



SCALE: AS NOTED
 DRAWN: A. SAYRE DATE: 6/2020
 CHECKED: A. SYKES DATE:
 APPROVED: D. SMITH DATE:
 SURVEY DATE:
 SURVEY BY:
 FIELD BOOK No.:

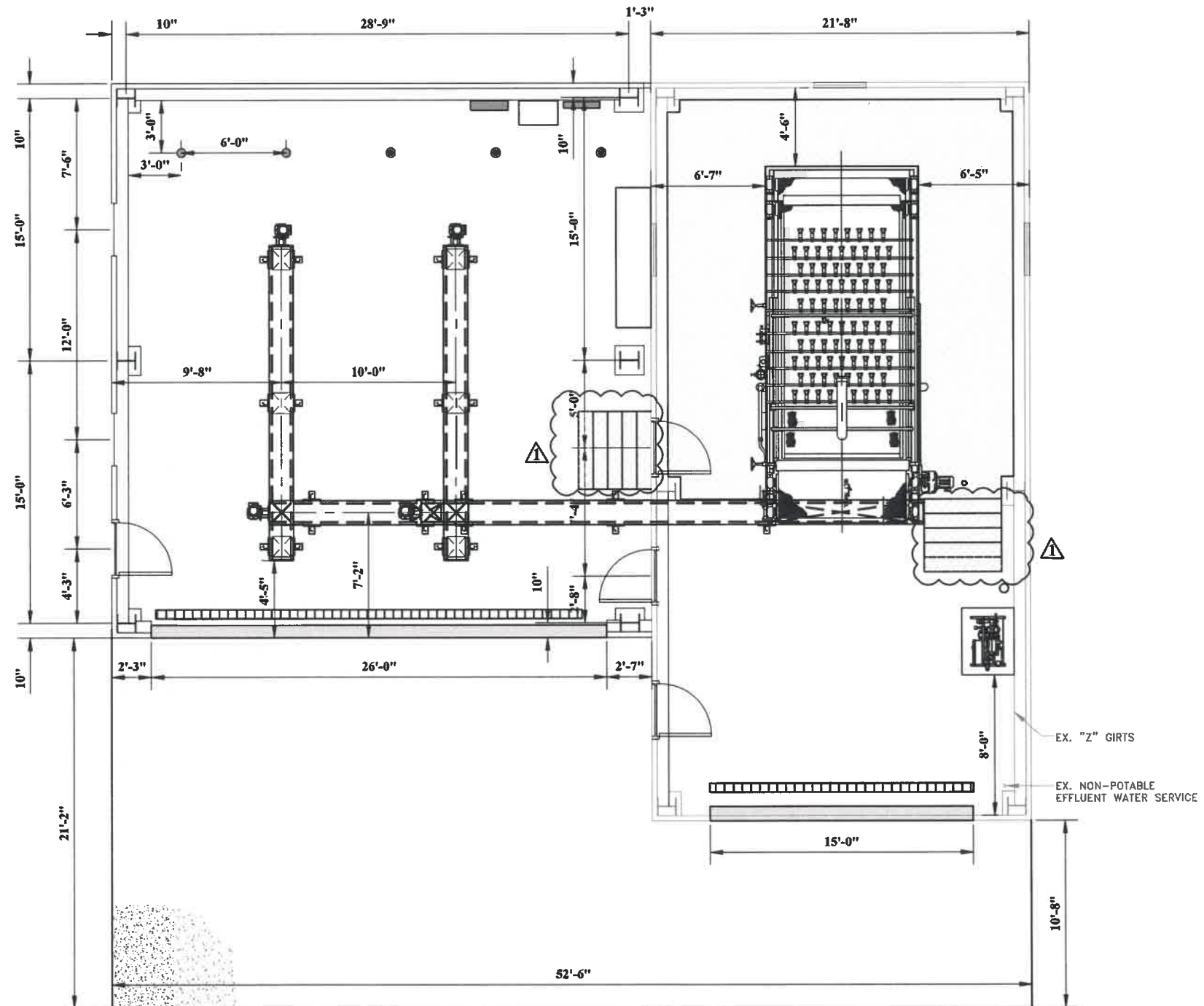
THRASHER
 600 WHITE OAKS BLVD. P.O. BOX 940
 BRIDGEPORT WV 26330
 www.thrashereng.com
 PHONE (304) 624-4108 FAX (304) 624-7831

PHASE No.	
CONTRACT No.	
PROJECT No.	101-020-10042

BERKELEY COUNTY P.S.S.D.
 UPGRADES TO OPEQUON-HEDGESVILLE
 WASTEWATER TREATMENT PLANT
 BERKELEY COUNTY, WEST VIRGINIA
 PRESS BUILDING FLOOR PLAN

SHEET No.
5

LAYOUT TAB: 6 EQUIP LAYOUT
 CAD FILE: R:\020\020-10042 BERKELEY OH UPGRADES\Drawing\000-SHT-05 Building Plans.dwg
 PLOT DATE/TIME: 4/12/2022 6:52 AM
 USER: andrew sayre



PROPOSED EQUIPMENT LAYOUT
 SCALE 1/4"=1'-0"

1	AS	4/12/22	ADDENDUM #3
THE INFORMATION CONTAINED HEREIN IS THE SOLE PROPERTY OF THE THRASHER GROUP INC. REPRODUCTION OF THESE DOCUMENTS IN WHOLE OR IN PART, FOR ANY REASON WITHOUT PRIOR WRITTEN PERMISSION, IS STRICTLY PROHIBITED.			
NO.	BY	DATE	DESCRIPTION



SCALE: AS NOTED
 DRAWN: A. SAYRE DATE: 6/2020
 CHECKED: A. SYKES DATE:
 APPROVED: D. SMITH DATE:
 SURVEY BY:
 FIELD BOOK No.:

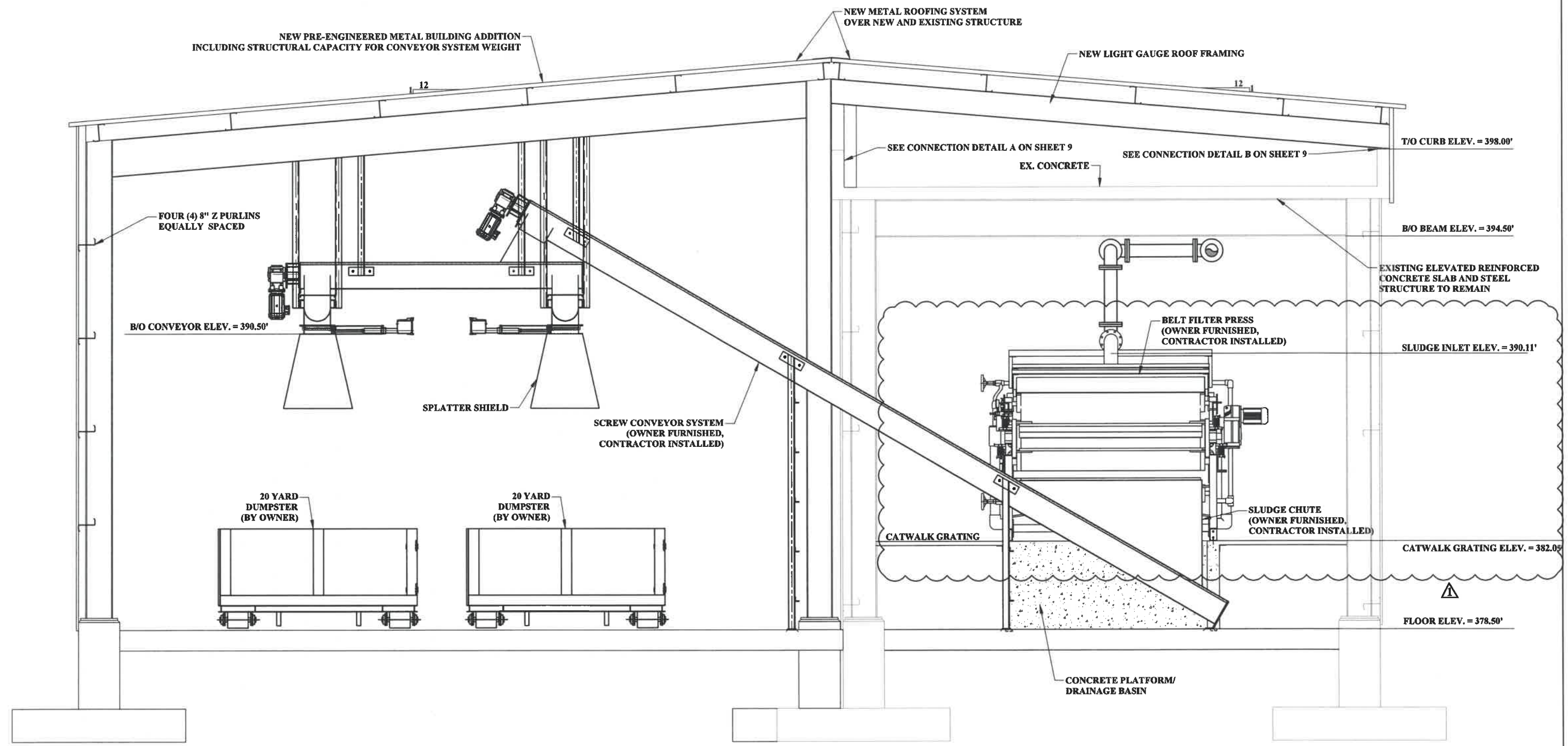
THRASHER
 600 WHITE OAKS BLVD., P.O. BOX 940
 BRIDGEPORT WV 26330
 www.thrashereng.com
 PHONE (304) 624-4108 FAX (304) 624-7831

PHASE No.
 CONTRACT No.
 PROJECT No.
101-020-10042

**BERKELEY COUNTY P.S.S.D.
 UPGRADES TO OPEQUON-HEDGESVILLE
 WASTEWATER TREATMENT PLANT
 BERKELEY COUNTY, WEST VIRGINIA
 PRESS BUILDING EQUIPMENT LAYOUT**

SHEET No.
6

LAYOUT Tab: 7 Section A-a
 CAD FILE: R:\020\020-10042 BERKELEY OH UPGRADES\Drawings\000-SHT-05 Building Plans.dwg
 PLOT DATE/TIME: 4/12/2022 8:25 AM
 USER: andrew sayre



PROPOSED BELT PRESS BUILDING SECTION A-A
 SCALE 1/2"=1'-0"

NO.	BY	DATE	DESCRIPTION
1	AS	4/7/22	ADDENDUM #3



SCALE: AS NOTED	DATE: 6/2020
DRAWN: A. SAYRE	DATE:
CHECKED: A. SYKES	DATE:
APPROVED: D. SMITH	DATE:
SURVEY DATE:	
SURVEY BY:	
FIELD BOOK No.:	

THRASHER
 600 WHITE OAKS BLVD., P.O. BOX 940
 BRIDGEPORT WV 26330
 www.thrashereng.com
 PHONE (304) 624-4108 FAX (304) 624-7831

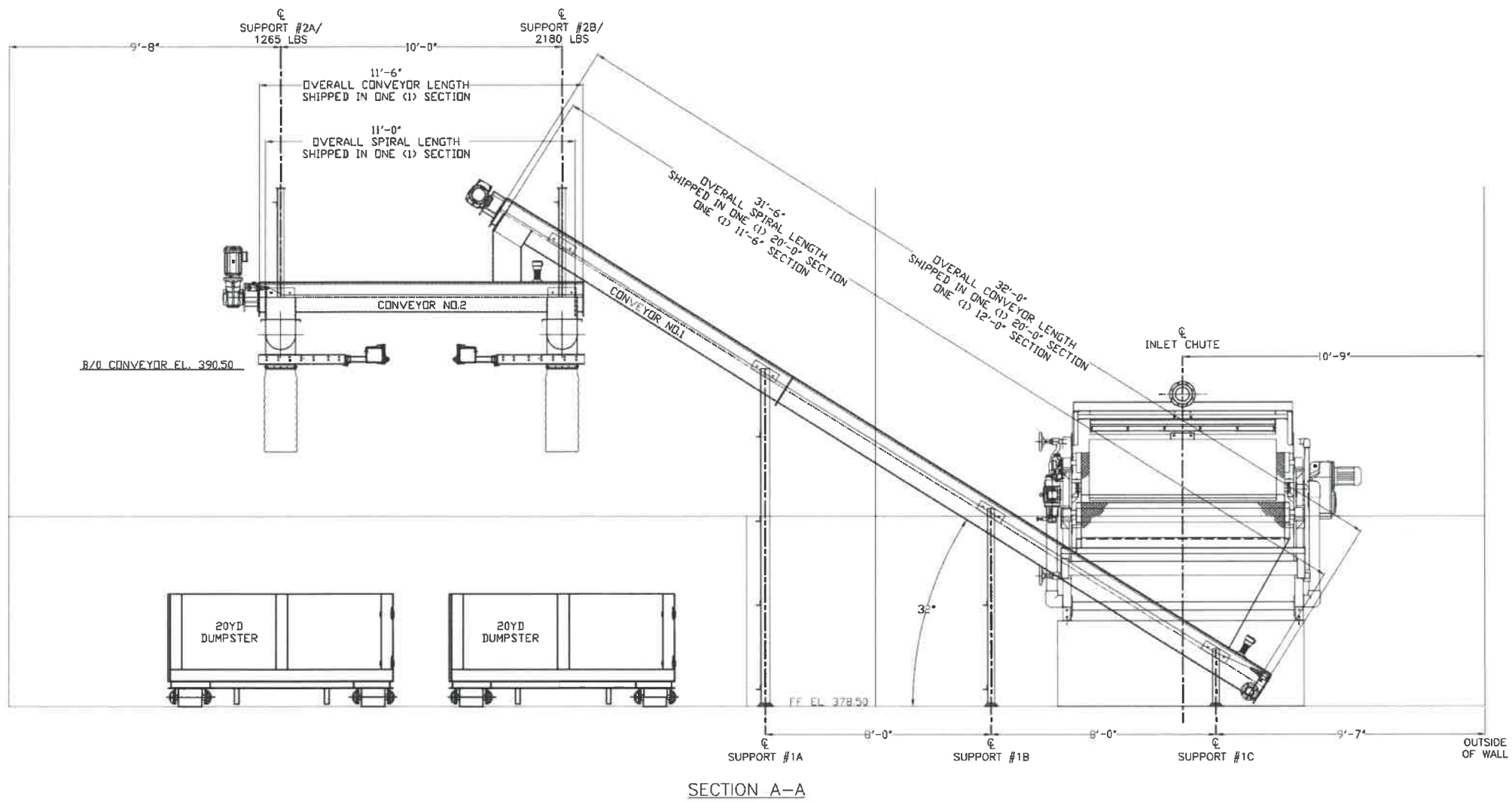
PHASE No.	
CONTRACT No.	
PROJECT No.	101-020-10042

BERKELEY COUNTY P.S.S.D.
 UPGRADES TO OPEQUON-HEDGESVILLE
 WASTEWATER TREATMENT PLANT
 BERKELEY COUNTY, WEST VIRGINIA
 PRESS BUILDING SECTION VIEW

SHEET No.	7
-----------	---

LAYOUT TAG: 7A
 CAD FILE: R:\020\020-10042 BERKELEY OH UPGRADES\Drawing\000-SHT-05 Building Plans.dwg
 PLOT DATE/TIME: 4/12/2022 8:50 AM
 USER: andrew sayre

REVISION HISTORY		
REV.	DESCRIPTION	DATE
0	ORIGINAL SUBMISSION	03/14/2022



NOTE: FOR INFORMATION PURPOSES ONLY; VENDOR CURRENTLY PROVIDING SUBMITTALS FOR ENGINEERS REVIEW

JDV
 EQUIPMENT CORPORATION

PROPRIETARY AND CONFIDENTIAL
 ALL DRAWINGS AND SPECIFICATIONS ARE AND REMAIN THE PROPERTY OF JDV EQUIPMENT AND MUST UPON REQUEST, BE RETURNED. ALL ARE CONFIDENTIAL AND ARE NOT TO BE DISCLOSED TO PERSONS OTHER THAN TO WHOM THEY ARE TO BE USED FOR ANY PURPOSE OTHER THAN ORIGINALLY INTENDED WITHOUT WRITTEN AUTHORIZATION.

	NAME	DATE
DRAWN	KC	03/14/2022
CHECKED		
CUST. APPR.		
SPECIAL REQ.		

WWW.JDVEQUIPMENT.COM

TITLE:
 SHAFTLESS SCREW CONVEYORS
 SECTION VIEW A-A

DO NOT SCALE DRAWING

PROJ. NO. :	223047	MODEL:	U320
SIZE	DWG. NO.	REV	
B	223047-20	0	

ADDENDUM #2

THE INFORMATION CONTAINED HEREIN IS THE SOLE PROPERTY OF THE THRASHER GROUP INC. REPRODUCTION OF THESE DOCUMENTS IN WHOLE OR IN PART, FOR ANY REASON WITHOUT PRIOR WRITTEN PERMISSION, IS STRICTLY PROHIBITED.

NO.	BY	DATE	DESCRIPTION
1	AS	3/15/22	ADDENDUM #2
2	AS	4/12/22	ADDENDUM #3



SCALE: AS NOTED
 DRAWN: A. SAYRE DATE: 8/2020
 CHECKED: A. SYKES DATE:
 APPROVED: D. SMITH DATE:
 SURVEY DATE:
 SURVEY BY:
 FIELD BOOK No.:

THRASHER
 600 WHITE OAKS BLVD. P.O. BOX 940
 BRIDGEPORT WV 26330
 www.thrashereng.com
 PHONE (304) 624-4108 FAX (304) 624-7831

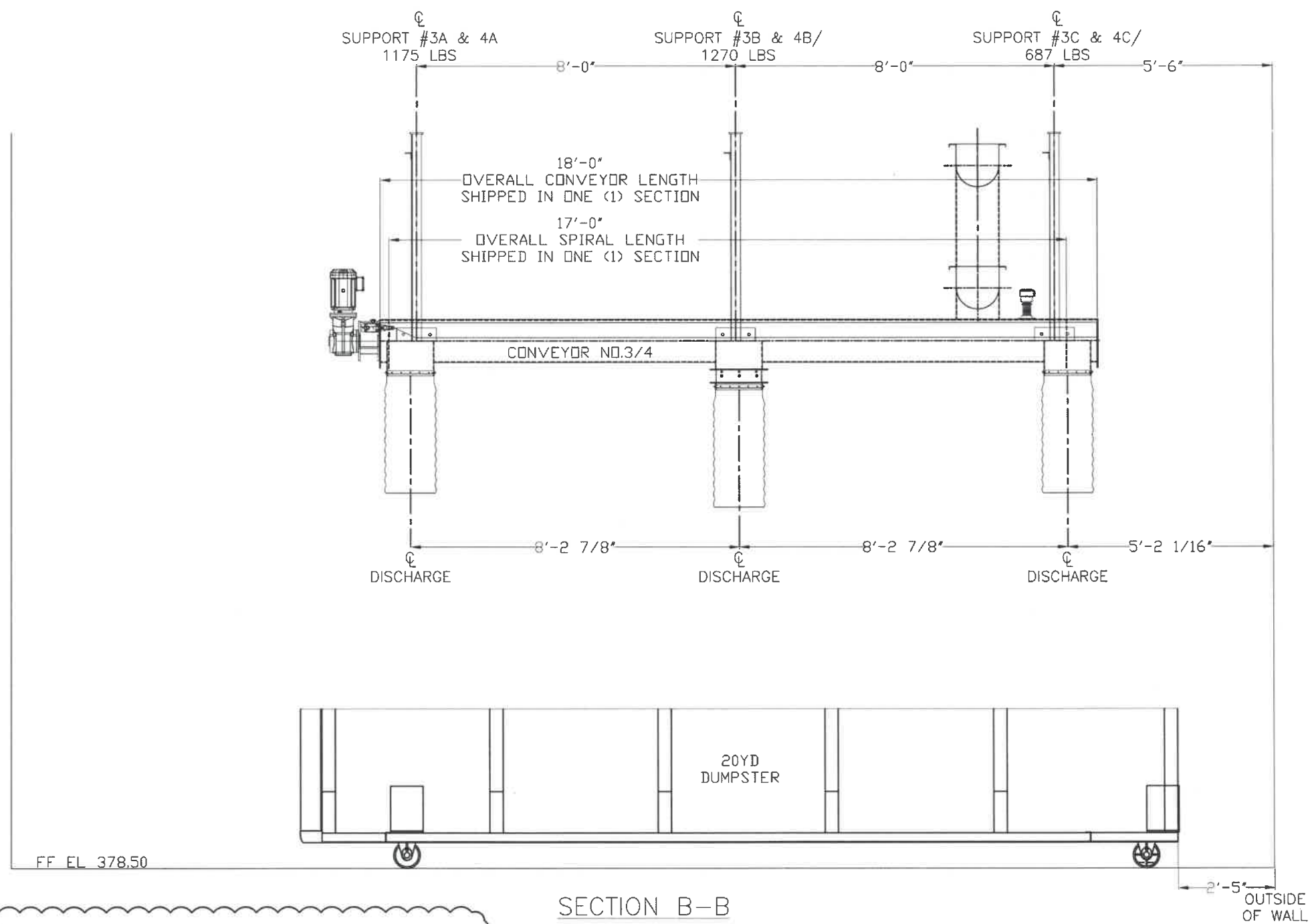
PHASE No.	
CONTRACT No.	
PROJECT No.	101-020-10042

BERKELEY COUNTY P.S.S.D.
 UPGRADES TO OPEQUON-HEDGESVILLE
 WASTEWATER TREATMENT PLANT
 BERKELEY COUNTY, WEST VIRGINIA
 CONVEYOR DETAILS

SHEET No.
7A

LAYOUT TAB: 7B
 CAD FILE: R:\020\020-10042 BERKELEY OH UPGRADES\Drawing\000-SHT-05 Building Plans.dwg
 PLOT DATE/TIME: 4/12/2022 6:51 AM
 USER: andrew sayre

REVISION HISTORY		
REV.	DESCRIPTION	DATE
0	ORIGINAL SUBMISSION	03/14/2022



NOTE: FOR INFORMATION PURPOSES ONLY; VENDOR CURRENTLY PROVIDING SUBMITTALS FOR ENGINEERS REVIEW

JDV
 EQUIPMENT CORPORATION

PROPRIETARY AND CONFIDENTIAL
 ALL DRAWINGS AND SPECIFICATIONS ARE AND REMAIN THE PROPERTY OF JDV EQUIPMENT AND MUST UPON REQUEST, BE RETURNED. ALL ARE CONFIDENTIAL AND ARE NOT TO BE DISCLOSED TO PERSONS OTHER THAN TO WHOM THEY ARE TO BE USED FOR ANY PURPOSE OTHER THAN ORIGINALLY INTENDED WITHOUT WRITTEN AUTHORIZATION.

	NAME	DATE
DRAWN	KC	03/14/2022
CHECKED		
CUST. APPR		
SPECIAL REQ.		

WWW.JDVEQUIPMENT.COM

TITLE:
 SHAFTLESS SCREW CONVEYORS
 SECTION VIEW B-B

DO NOT SCALE DRAWING

PROJ. NO.:	223047	MODEL:	U320
SIZE	DWG. NO.	REV	
B	223047-21	0	

ADDENDUM #2

NO.	BY	DATE	DESCRIPTION
1	AS	3/15/22	ADDENDUM #2
2	AS	4/12/22	ADDENDUM #3



SCALE: AS NOTED
 DRAWN: A. SAYRE DATE: 6/2020
 CHECKED: A. SYKES DATE:
 APPROVED: D. SMITH DATE:
 SURVEY DATE:
 SURVEY BY:
 FIELD BOOK No.:

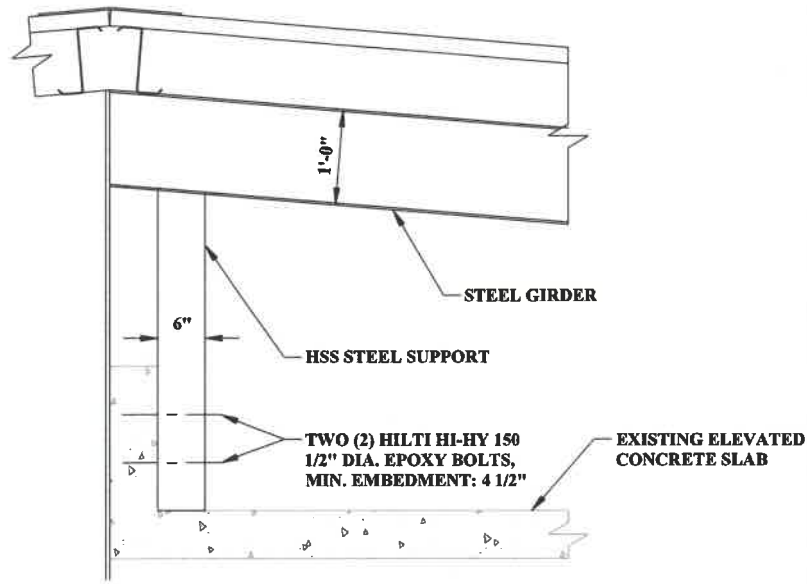
THRASHER
 600 WHITE OAKS BLVD. P.O. BOX 940
 BRIDGEPORT WV 26330
 www.thrashereng.com

PHONE (304) 624-4108
 FAX (304) 624-7831

PHASE No.	
CONTRACT No.	
PROJECT No.	101-020-10042

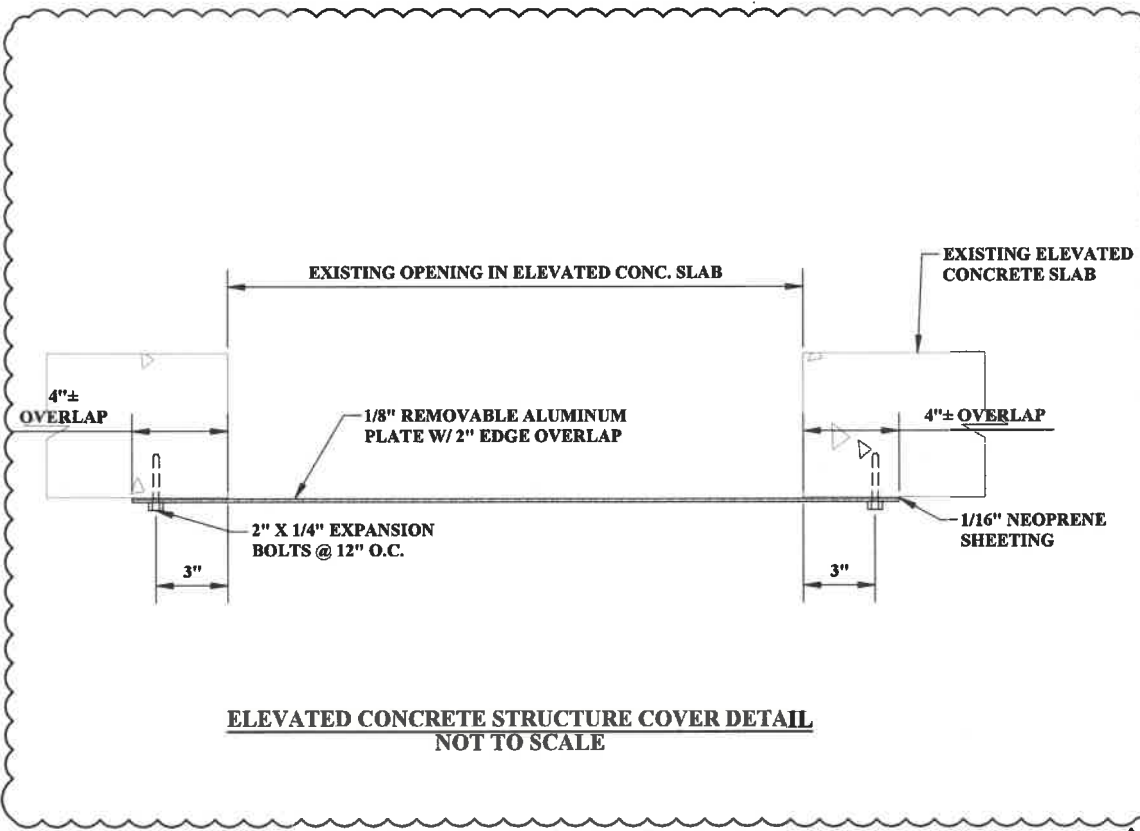
BERKELEY COUNTY P.S.S.D.
 UPGRADES TO OPEQUON-HEDGESVILLE
 WASTEWATER TREATMENT PLANT
 BERKELEY COUNTY, WEST VIRGINIA
 CONVEYOR DETAILS

LAYOUT TAB: 9-DETAILS
 CAD FILE: R:\020\020-10042 BERKELEY OH UPGRADES\Drawing\00-SHT-05 Building Plans.dwg
 PLOT DATE/TIME: 4/12/2022 8:51 AM
 USER: andrew sayre

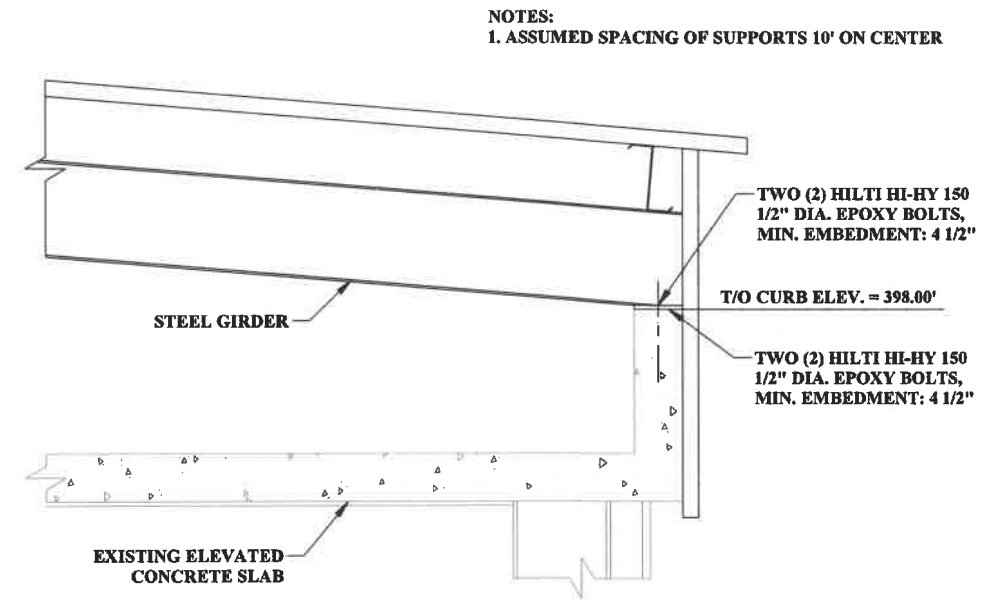


DETAIL A: TYPICAL CONNECTION TO EXISTING STRUCTURE AT RIDGE
NOT TO SCALE

NOTES:
1. ASSUMED SPACING OF SUPPORTS 10' ON CENTER



ELEVATED CONCRETE STRUCTURE COVER DETAIL
NOT TO SCALE



DETAIL B: TYPICAL CONNECTION TO EXISTING STRUCTURE AT EAVE
NOT TO SCALE

NOTES:
1. ASSUMED SPACING OF SUPPORTS 10' ON CENTER

DOOR SCHEDULE

DOOR NUMBER	WIDTH	HEIGHT	THICKNESS	MATERIAL	DOOR TYPE	REMARKS
D1	3'-0"	6'-8"	1 3/4"	ALUMINUM	A	DOOR AND HARDWARE PER SPEC SECTION 133419
D2	3'-0"	6'-8"	1 3/4"	ALUMINUM	A	DOOR AND HARDWARE PER SPEC SECTION 133419
D3	3'-0"	6'-8"	1 3/4"	ALUMINUM	A	DOOR AND HARDWARE PER SPEC SECTION 133419 TO BE INSTALLED AT CATWALK GRATING ELEVATION
D4	3'-0"	6'-8"	1 3/4"	ALUMINUM	A	DOOR AND HARDWARE PER SPEC SECTION 133419
D5	26'-0"	14'-0"	1 3/4"	ALUMINUM	B	DOOR AND HARDWARE PER SPEC SECTION 083323
D6	14'-0"	14'-0"	1 3/4"	ALUMINUM	B	DOOR AND HARDWARE PER SPEC SECTION 083323

DOOR NOTES:

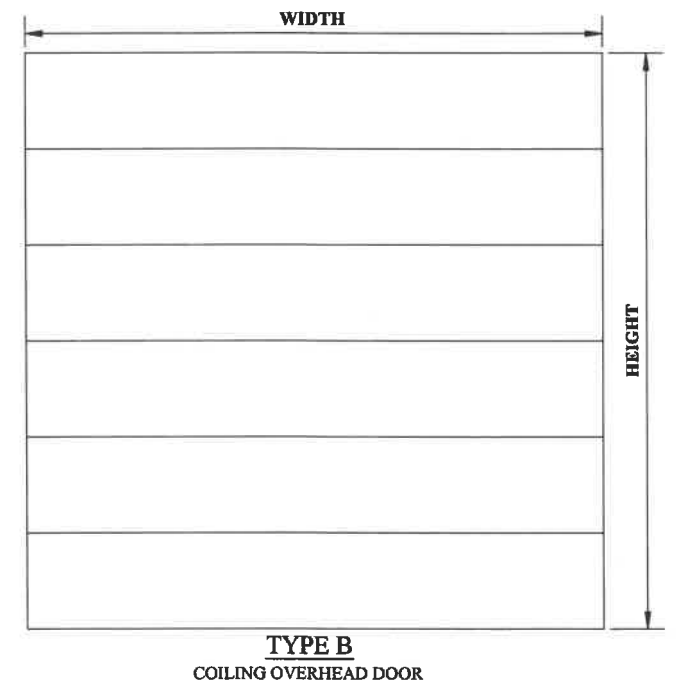
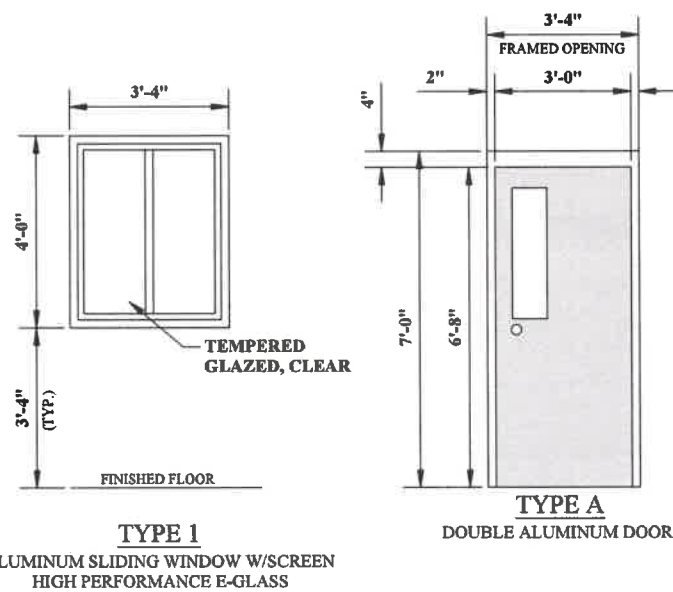
- ALL DOORS REQUIRE DOOR SILENCERS, PUSH PULL PLATES, PROTECTIVE PLATES, AND DOUBLE INSULATION.
- ALL EXTERIOR DOORS REQUIRE KEY LOCKSETS, DOOR STOPS, THRESHOLD, AND WEATHER STRIPS.
- DOORS MUST BE SIZED TO FIT OPENINGS USING MANUFACTURER'S RECOMMENDATIONS.
- DOOR GLASS SHALL BE SHATTERPROOF.
- OVERHEAD COILING DOORS SHALL BE INTERNALLY MOUNTED.

WINDOW SCHEDULE

WINDOW NUMBER	WIDTH	HEIGHT	WINDOW TYPE	REMARKS
W1	3'-4"	4'-0"	1	
W2	3'-4"	4'-0"	1	

WINDOW NOTES:

- WINDOW FRAME AND HARDWARE PER SPEC SECTION 133419.
- WINDOW GLAZING PER SPEC SECTION 088000.
- ALL WINDOWS REQUIRE INTERIOR AND EXTERIOR TRIM.
- WINDOWS MUST BE SIZED TO FIT OPENINGS USING MANUFACTURER'S RECOMMENDATIONS.
- ALL WINDOWS SHALL BE OPERABLE AND SUPPLIED WITH SCREENS.



NO.	BY	DATE	DESCRIPTION
1	AS	3/15/22	ADDENDUM #2
2	AS	4/11/22	ADDENDUM #3



SCALE: AS NOTED	DATE: 9/2020
DRAWN: A. SAYRE	DATE:
CHECKED: A. SYKES	DATE:
APPROVED: D. SMITH	DATE:
SURVEY DATE:	
SURVEY BY:	
FIELD BOOK No.:	



600 WHITE OAKS BLVD. P.O. BOX 940
BRIDGEPORT WV 26330
www.thrashereng.com
PHONE (304) 624-4108 FAX (304) 624-7831

PHASE No.	
CONTRACT No.	
PROJECT No.	101-020-10042

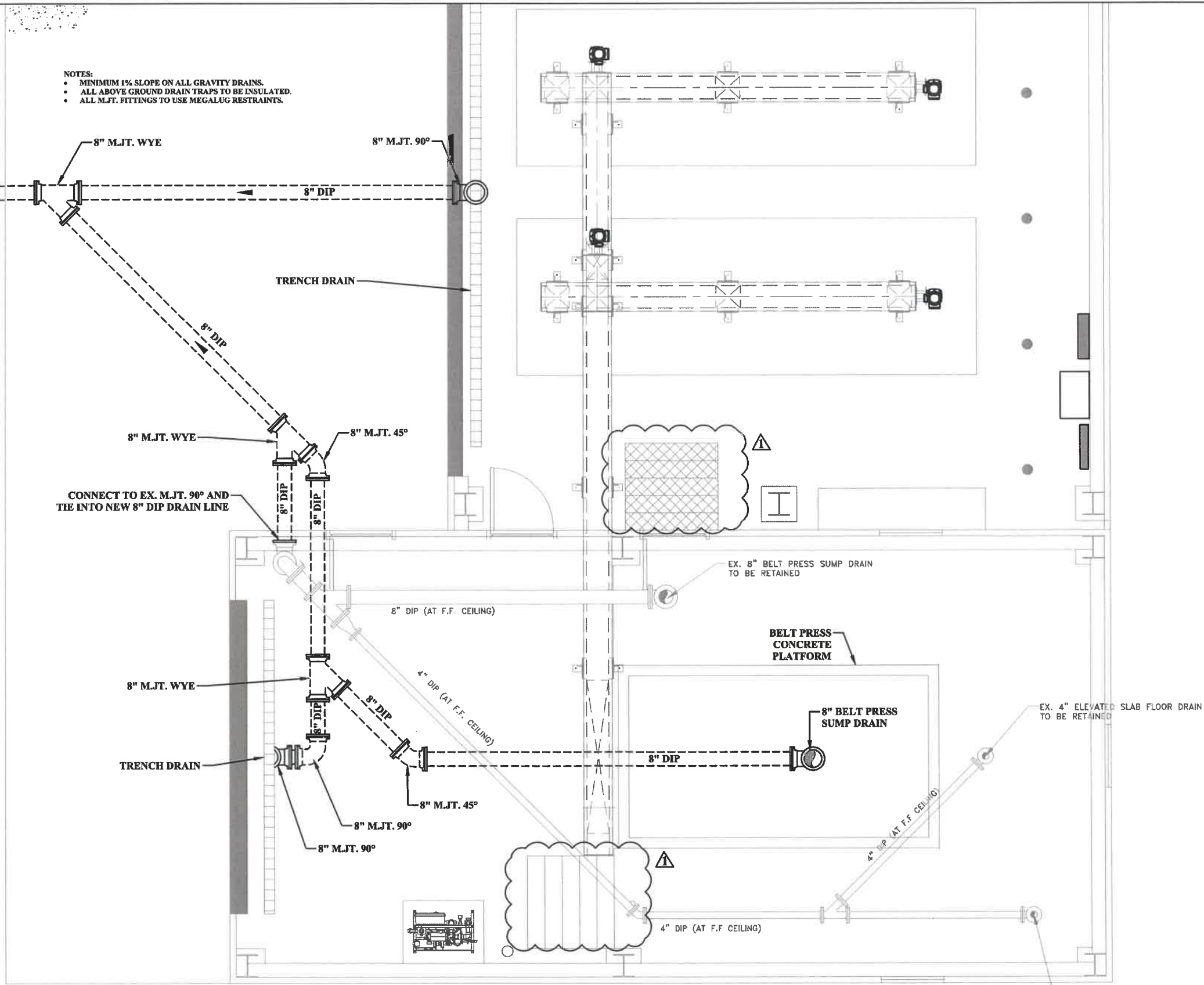
BERKELEY COUNTY P.S.S.D.
UPGRADES TO OPEQUON-HEDGESVILLE
WASTEWATER TREATMENT PLANT
BERKELEY COUNTY, WEST VIRGINIA
PRESS BUILDING DETAILS

SHEET No.	9
-----------	---

PIPE LEGEND
 ELEVATED ———
 UNDERGROUND - - -

NOTES:
 • MINIMUM 1% SLOPE ON ALL GRAVITY DRAINS.
 • ALL ABOVE GROUND DRAIN TRAPS TO BE INSULATED.
 • ALL M.J.T. FITTINGS TO USE MEGALUG RESTRAINTS.

SEE SHEET 4 FOR CONTINUATION



PROPOSED BELT PRESS DRAIN/ VENT PLAN
 SCALE 3/8"=1'-0"

LAYOUT TAB: P1 Drain Piping
 CAD FILE: R:\020\020-10042 BERKELEY OH UPGRADES\Drawing\000-SHT-05 Building Plumbing.dwg
 USER: andrew sayre
 PLOT DATE/TIME: 4/12/2022 6:56 AM

THE INFORMATION CONTAINED HEREIN IS THE SOLE PROPERTY OF THE THRASHER GROUP INC. REPRODUCTION OF THESE DOCUMENTS IN WHOLE OR IN PART, FOR ANY REASON WITHOUT PRIOR WRITTEN PERMISSION, IS STRICTLY PROHIBITED.

NO.	BY	DATE	DESCRIPTION
1	AS	4/12/22	ADDENDUM #3



SCALE: AS NOTED
 DRAWN: A. SAYRE DATE: 6/2020
 CHECKED: A. SYKES DATE:
 APPROVED: D. SMITH DATE:
 SURVEY DATE:
 SURVEY BY:
 FIELD BOOK No.:

THRASHER
 600 WHITE OAKS BLVD. P.O. BOX 940
 BRIDGEPORT WV 26330
 www.thrashereng.com
 PHONE (304) 624-4108 FAX (304) 624-7831

PHASE No.
 CONTRACT No.
 PROJECT No.
101-020-10042

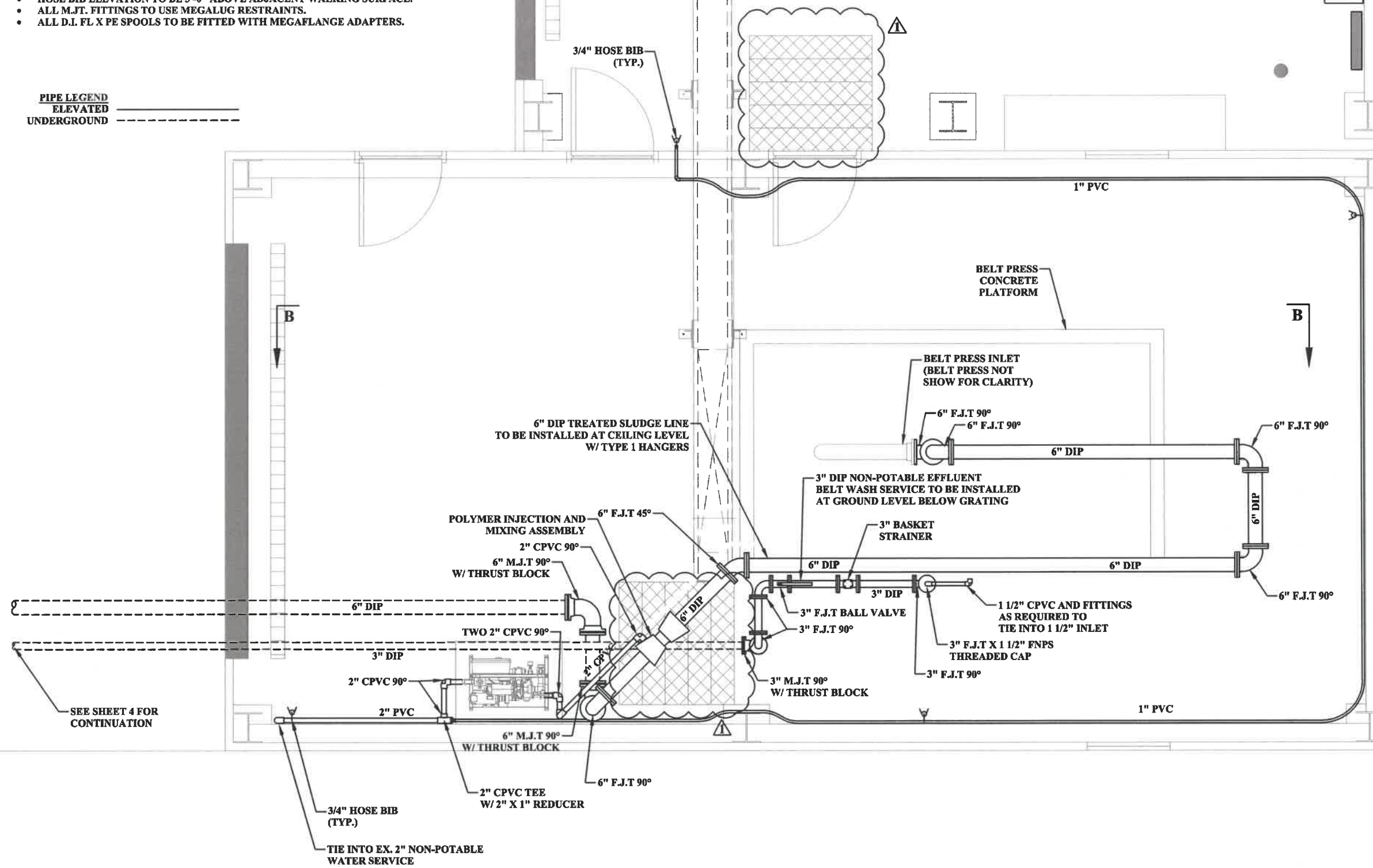
BERKELEY COUNTY P.S.S.D.
UPGRADES TO OPEQUON-HEDGESVILLE
WASTEWATER TREATMENT PLANT
BERKELEY COUNTY, WEST VIRGINIA
PRESS BUILDING DRAIN/ VENT PIPING PLAN

SHEET No.
P1

NOTES:

- PVC PRESSURE PIPING INSIDE SHALL BE SCH. 80 AT MINIMUM.
- HOSE BIB ELEVATION TO BE 3'-0" ABOVE ADJACENT WALKING SURFACE.
- ALL M.J.T. FITTINGS TO USE MEGALUG RESTRAINTS.
- ALL D.I. FL X PE SPOOLS TO BE FITTED WITH MEGAFLANGE ADAPTERS.

PIPE LEGEND
 ELEVATED ———
 UNDERGROUND - - - - -



PROPOSED BELT PRESS PROCESS PIPING PLAN
 SCALE 1/2"=1'-0"

LAYOUT TAB: P2 Process Piping
 CAD FILE: R:\020\020-10042 BERKELEY OH UPGRADES\Drawings\000-SHT-US Building Plans.dwg
 PLOT DATE/TIME: 4/12/2022 7:00 AM
 USER: andrew sayre

1	AS	4/12/22	ADDENDUM #3
NO.	BY	DATE	DESCRIPTION



SCALE: AS NOTED	DATE: 6/2020
DRAWN: A. SAYRE	DATE:
CHECKED: A. SYKES	DATE:
APPROVED: D. SMITH	DATE:
SURVEY DATE:	
FIELD BOOK No.:	

THRASHER
 600 WHITE OAKS BLVD., P.O. BOX 940
 BRIDGEPORT WV 26330
 www.thrashereng.com
 PHONE (304) 624-4108 FAX (304) 624-7831

PHASE No.	
CONTRACT No.	
PROJECT No.	101-020-10042

BERKELEY COUNTY P.S.S.D.
 UPGRADES TO OPEQUON-HEDGESVILLE
 WASTEWATER TREATMENT PLANT
 BERKELEY COUNTY, WEST VIRGINIA
 PRESS BUILDING PROCESS PIPING PLAN

SHEET No.
P2