

**TOWN OF ELIZABETH
WIRT COUNTY, WEST VIRGINIA****CONTRACT NO. 2 – CRESTON AREA WATERLINE EXTENSION****APRIL 24, 2020****ADDENDUM NO. 2**

To whom it may concern:

A. BOILER PLATE

1. The Bid Opening time has been moved to April 30, 2020 at 2:00 p.m.
2. Bids will be received by The Thrasher Group, Inc. located at 300 Association Drive, Charleston, WV 25311. Bids shall be mailed or hand delivered by April 30, 2020 at 2:00 p.m. Social distancing guidelines will be followed. Conference call information is as follows: Call-in Number: 304-848-6940; Conference Number: 1439089, and Go-To Meeting at the following address <https://global.gotomeeting.com/join/813817957>.
3. The Bid Form has been revised to modify the Bid Items. The revised Bid Form is included with this Addendum No. 2. **YOU MUST USE THE ATTACHED BID FORM INCLUDED WITH THIS ADDENDUM No. 2 WHEN PREPARING YOUR BID PACKAGE.**
4. Updated Wage Rates are included with this Addendum No. 2. **YOU MUST USE THE ATTACHED WAGE RATES INCLUDED WITH THIS ADDENDUM No. 2 WHEN PREPARING YOUR BID PACKAGE.**

B. SPECIFICATIONS

1. **REPLACE** “C-410 BID FORM” included with this Addendum No. 2.
2. **REPLACE** “SECTION 012000 - PRICE AND PAYMENT PROCEDURES” included with this Addendum No. 2.
3. **REPLACE** “SECTION 331213 – WATER SERVICE CONNECTIONS” included with this Addendum No. 2.
4. Refer to Section 331219 – WATER UTILITY DISTRIBUTION FIRE HYDRANTS. **CHANGE** Paragraph 2.1.A.1 to read “American Flow Control”.

C. DRAWINGS

1. **REPLACE** Sheet D1 included with this Addendum No. 2.
2. **REMOVE** Note 2 “WEST VIRGINIA DIVISION OF HIGHWAY ROCK LINED DITCH REPAIR SHALL BE PAID FOR IN THE PRICE OF PIPE.” on Plan Sheets 1 through 18.

D. QUESTIONS AND CLARIFICATIONS

The following are clarifications and responses to questions posed by Contractors and suppliers regarding the above referenced project.

1. **Question:**

There is no pay item for 12” Steel Casing (B&J)? Plans show 55LF.

Answer:

A Bid Item has been added to the revised Bid Form for the installation of 80 LF of 12” Steel Casing (B&J). **YOU MUST USE THE REVISED BID FORM INCLUDED WITH THIS ADDENDUM WHEN PREPARING YOUR BID PACKAGE.**

2. **Question:**

Item #7 12” Steel Casing (Open Cut) 100LF, I can only find 70LF on the plan, is there more?

Answer:

The Contractor is to provide a Unit Bid Price for the quantities called out on the revised Bid Form.

3. **Question:**

Does the water main require bedding? If so what type? If so is it only required when the trench bottom is rock?

Answer:

The water main **DOES** require bedding, please refer to the “Typical Cross Section of Trenches” detail shown on Plan Sheet D1. Bedding for the water main is required at all times.

4. **Question:**

Can select material from the trench be used as bedding?

Answer:

Select material from the trench is **NOT** to be used for pipe bedding. Please refer to the “Typical Cross Section of Trenches” detail shown on Plan Sheet D1 for specified bedding material.

5. **Question:**

WVDOH calls out Rock Lined Ditch in areas with greater than 5% grade, can these areas be identified? Or can a Rock Lined Ditch Pay item be added?

Answer:

WVDOH Rock-Lined Ditch is replacing Type “C” Trench Repair identified within the plan set. A Bid Item has been added to the revised Bid Form for the installation of 31,500 LF of WVDOH Rock-Lined Ditch. **YOU MUST USE THE REVISED BID FORM INCLUDED WITH THIS ADDENDUM WHEN PREPARING YOUR BID PACKAGE**

6. **Question:**

Is Type C Trench required on the entire project as shown on the drawings?

Answer:

Type “C” Trench Repair identified within the plan set has been replaced with WVDOH Rock-Lined Ditch and is required for the entire project as shown on the drawings. A Bid Item has been added to the revised Bid Form for the installation of 31,500 LF of WVDOH Rock-Lined Ditch. **YOU MUST USE THE REVISED BID FORM INCLUDED WITH THIS ADDENDUM WHEN PREPARING YOUR BID PACKAGE.**

7. **Question:**

Will berm be required on the DOH right of way?

Answer:

A berm will be required on the WVDOH right of way.

8. **Question:**

What setting is to be bid for both the High Pressure and Low Pressure meter settings?

Answer:

Refer to revised Specification Section 331213 – Water Service Connections included with this Addendum No. 2.

9. **Question:**

Belted Silt Retention Fence is called for within the plans; however, Super Silt Fence is the only advanced BMP that is identified within Specification Section 312500 – Erosion and Sedimentation Controls. Please clarify which BMP is to be used for the areas called out within the plans.

Answer:

Belted Silt Retention Fence called out in the plans shall be bid and constructed as per the detail shown on Plan Sheet D9.

10. **Question:**

Will traffic control lights be allowed to be used on these projects for traffic control?

Answer:

Please refer to Specification Section 015700 – Traffic Control.

11. **Question:**

Will a Bid Item be added for Rip Rap Ditch?

Answer:

A Bid Item will not be added for Rip Rap Ditch Repair. Rip Rap Ditch Repair shall be included in the linear foot price for WVDOH Rock-Lined Ditch.

12. **Question:**

Will a Bid Item be added for stream crossings?

Answer:

A Bid Item will not be added for Stream Crossings. Stream Crossings shall be included in the linear foot price for waterline.

13. **Question:**

Will a Bid Item be added for stream bank slope protection?

Answer:

A Bid Item will not be added for Stream Bank Slope Protection. All Stream Bank Slope Protection required for this contract should be included in the LS bid price for Bid Item 3 – Erosion and Sedimentation Controls.

14. **Question:**

Does the PVC within the casing need restrained?

Answer:

Please refer to Specification Section 012000 – Price and Payment Procedures Paragraph 1.7.C.7 and Paragraph 1.7.C.8.

15. **Question:**

Is the 2” pipe DR-17 or SDR 13.5?

Answer:

The 2” waterline should be 2” SDR 13.5 CL-315 Waterline as called out on the plans. The Bid Form has been revised to change Bid Item 6 to 2” SDR 13.5 CL-315 Water Line. **YOU MUST USE THE REVISED BID FORM INCLUDED WITH THIS ADDENDUM WHEN PREPARING YOUR BID PACKAGE**

16. **Question:**

Is all 6” pipe to be bedded / backfilled with crush run / #307 (As Per Specs)?

Answer:

The water main **DOES** require bedding, please refer to the “Typical Cross Section of Trenches” detail shown on Plan Sheet D1. Bedding for the water main is required at all times.

17. **Question:**

Drawings show a “Type C” trench repair for the main line. Are we to top our ditch with 12” of crusher run material?

Answer:

Type “C” Trench Repair identified within the plan set has been replaced with WVDOH Rock-Lined Ditch and is required for the entire project as shown on the drawings. A Bid Item has been added to the revised Bid Form for the installation of 31,500 LF of WVDOH Rock-Lined Ditch. **YOU MUST USE THE REVISED BID FORM INCLUDED WITH THIS ADDENDUM WHEN PREPARING YOUR BID PACKAGE.**

18. **Question:**

Would there be any other material acceptable for the bedding / backfill – IE sand or bank run?

Answer:

Select material from the trench is **NOT** to be used for pipe bedding. Please refer to the “Typical Cross Section of Trenches” detail shown on Plan Sheet D1 for specified bedding material.

19. **Question:**

Does all trenching require the AASHTO #10 bedding, or just in rock excavation and where suitable backfill is unavailable?

Answer:

All trenching requires AASHTO #10 bedding. Please refer to the “Typical Cross Section of Trenches” detail shown on Plan Sheet D1.

E. GENERAL

1. All 6" PVC DR-18 identified within the Plan Set is to be bid as C-900.
2. Last day for receiving Contractor questions was COB, Wednesday, April 22, 2020. No other questions will be answered at this time.
3. Davis Bacon Wage Rates DO apply to this project.
4. DBE Requirements DO apply to this project.
5. American Iron and Steel (AIS) requirements DO apply to this project.
6. B&O Taxes are NOT required for this project.
7. A Wirt County Building permit is required for this project.
8. The Engineer's cost estimate for this project is \$950,000.00.
9. Bidders are hereby notified to acknowledge receipt of all addenda in space provided on the revised Bid Form included with this Addendum No. 2.

If you have any questions or need any other information, please do not hesitate to contact me.

Sincerely,

THE THRASHER GROUP, INC.



JESSE ALDEN, P.E.
Project Manager

Enclosures



4-24-2020

TOWN OF ELIZABETH
WIRT COUNTY, WEST VIRGINIA
PROPOSED
CONTRACT #2-CRESTON AREA WATERLINE EXTENSION
THRASHER PROJECT #101-010-0808

BID FORM

ARTICLE 1 – BID RECIPIENT

1.01 This Bid is submitted to:

Town of Elizabeth
73 Town Hall Lane
Elizabeth, WV 26143

1.02 The undersigned Bidder proposes and agrees, if this Bid is accepted, to enter into an Agreement with Owner in the form included in the Bidding Documents to perform all Work as specified or indicated in the Bidding Documents for the prices and within the times indicated in this Bid and in accordance with the other terms and conditions of the Bidding Documents.

ARTICLE 2 – BIDDER’S ACKNOWLEDGEMENTS

2.01 Bidder accepts all of the terms and conditions of the Instructions to Bidders, including without limitation those dealing with the disposition of Bid security. This Bid will remain subject to acceptance for 90 days after the Bid opening, or for such longer period of time that Bidder may agree to in writing upon request of Owner.

ARTICLE 3 – BIDDER’S REPRESENTATIONS

3.01 In submitting this Bid, Bidder represents that:

A. Bidder has examined and carefully studied the Bidding Documents, and any data and reference items identified in the Bidding Documents, and hereby acknowledges receipt of the following Addenda:

<u>Addendum No.</u>	<u>Addendum Date</u>
---------------------	----------------------

_____	_____
_____	_____
_____	_____

- B. Bidder has visited the Site, conducted a thorough, alert visual examination of the Site and adjacent areas, and become familiar with and satisfied itself as to the general, local, and Site conditions that may affect cost, progress, and performance of the Work.
- C. Bidder is familiar with and has satisfied itself as to all Laws and Regulations that may affect cost, progress, and performance of the Work.
- D. Bidder has carefully studied all: (1) reports of explorations and tests of subsurface conditions at or adjacent to the Site and all drawings of physical conditions relating to existing surface or subsurface structures at the Site that have been identified in the Supplementary Conditions, especially with

respect to Technical Data in such reports and drawings, and (2) reports and drawings relating to Hazardous Environmental Conditions, if any, at or adjacent to the Site that have been identified in the Supplementary Conditions, especially with respect to Technical Data in such reports and drawings.

- E. Bidder has considered the information known to Bidder itself; information commonly known to contractors doing business in the locality of the Site; information and observations obtained from visits to the Site; the Bidding Documents; and any Site-related reports and drawings identified in the Bidding Documents, with respect to the effect of such information, observations, and documents on (1) the cost, progress, and performance of the Work; (2) the means, methods, techniques, sequences, and procedures of construction to be employed by Bidder; and (3) Bidder's safety precautions and programs.
- F. Bidder agrees, based on the information and observations referred to in the preceding paragraph, that no further examinations, investigations, explorations, tests, studies, or data are necessary for the determination of this Bid for performance of the Work at the price bid and within the times required, and in accordance with the other terms and conditions of the Bidding Documents.
- G. Bidder is aware of the general nature of work to be performed by Owner and others at the Site that relates to the Work as indicated in the Bidding Documents.
- H. Bidder has given Engineer written notice of all conflicts, errors, ambiguities, or discrepancies that Bidder has discovered in the Bidding Documents, and confirms that the written resolution thereof by Engineer is acceptable to Bidder.
- I. The Bidding Documents are generally sufficient to indicate and convey understanding of all terms and conditions for the performance and furnishing of the Work.
- J. The submission of this Bid constitutes an incontrovertible representation by Bidder that Bidder has complied with every requirement of this Article, and that without exception the Bid and all prices in the Bid are premised upon performing and furnishing the Work required by the Bidding Documents.

ARTICLE 4 – BIDDER'S CERTIFICATION

4.01 Bidder certifies that:

- A. This Bid is genuine and not made in the interest of or on behalf of any undisclosed individual or entity and is not submitted in conformity with any collusive agreement or rules of any group, association, organization, or corporation;
- B. Bidder has not directly or indirectly induced or solicited any other Bidder to submit a false or sham Bid;
- C. Bidder has not solicited or induced any individual or entity to refrain from bidding; and
- D. Bidder has not engaged in corrupt, fraudulent, collusive, or coercive practices in competing for the Contract. For the purposes of this Paragraph 4.01.D:
 - 1. "corrupt practice" means the offering, giving, receiving, or soliciting of any thing of value likely to influence the action of a public official in the bidding process;
 - 2. "fraudulent practice" means an intentional misrepresentation of facts made (a) to influence the bidding process to the detriment of Owner, (b) to establish bid prices at artificial non-competitive levels, or (c) to deprive Owner of the benefits of free and open competition;
 - 3. "collusive practice" means a scheme or arrangement between two or more Bidders, with or without the knowledge of Owner, a purpose of which is to establish bid prices at artificial, non-competitive levels; and

- 4. "coercive practice" means harming or threatening to harm, directly or indirectly, persons or their property to influence their participation in the bidding process or affect the e execution of the Contract.

ARTICLE 5 – BASIS OF BID

GENERAL

The Bidder shall take notice of and shall be responsible for any local or state taxes levied and applicable, and the cost for the same shall be included as part of the submitted Bid.

The total Bid cost stated includes a complete operating installation including furnishing and installation of any and all changes or additions in plans, piping, mechanical work, additional electrical work, accessories, controls, etc. necessary to accommodate alternative equipment systems or materials used in construction.

BID PROPOSAL

The Bidder agrees to perform all required Work described in the detailed Specifications and as shown on the Plans for the complete construction and placing in satisfactory operation the Water System Improvements Project. The Project "Sequence of Construction" has been detailed in the Drawings and Specification Division 1, Project Summary, Section 1010, Part-2 Execution. The Bidder agrees to perform all the Work proposed for the total of the following Bid prices.

- 5.01 Bidder will complete the Work in accordance with the Contract Documents for the following price(s):
A.

**PROPOSED
CONTRACT #2-CRESTON AREA WATERLINE EXTENSION
FOR THE
TOWN OF ELIZABETH
WIRT COUNTY, WEST VIRGINIA**

BID SCHEDULE

NOTE: Bid Unit PRICE amounts are to be shown in both words and figures. In case of discrepancy, the amount shown in words will govern. Bids shall include sales tax and all other applicable taxes and fees.

Item	Quantity	Description with Unit Price Written	Unit Price	Total Price
1	1 LS	Mobilization/Demobilization	Dollars _____ Cents _____	_____

Item	Quantity	Description with Unit Price Written	Unit Price	Total Price
2	1 LS	Pre-Construction Video of Project Area	Dollars Cents	
3	1 LS	Erosion and Sedimentation Controls	Dollars Cents	
4	24,000 LF	6" PVC DR-18 Water Line	Dollars Cents	
5	440 LF	6" HDPE DR-9 Water Line (Directional Drill) w/Concrete Anchors	Dollars Cents	
6	2,100 LF	2" SDR 13.5 CL-315 Water Line	Dollars Cents	
7	100 LF	12" Steel Casing (Open Cut) w/Casing Spacers	Dollars Cents	
8	80 LF	12" Steel Casing (Bore & Jack) w/Casing Spacers	Dollars Cents	
9	420 LF	1" Polyethylene Service Tubing (Bore & Jack)	Dollars Cents	

Item	Quantity	Description with Unit Price Written	Unit Price	Total Price
10	450 LF	3/4" Polyethylene Service Tubing (Open Cut)	Dollars Cents	
11	850 LF	3/4" Polyethylene Service Tubing (Bore & Jack)	Dollars Cents	
12	80 EA	3/4" Service Meter Setting (High Pressure, Meter Not Included)	Dollars Cents	
13	35 EA	6" M.J.T. Gate Valve w/Box and Lid	Dollars Cents	
14	4 EA	2" M.J.T. Gate Valve w/Box and Lid	Dollars Cents	
15	1 EA	6" Water Line Tie-In to Existing Water Line	Dollars Cents	
16	18 EA	Fire Hydrant Assembly, Complete	Dollars Cents	
17	2 EA	2" Post Flushing Hydrant Assembly, Complete	Dollars Cents	

Item	Quantity	Description with Unit Price Written	Unit Price	Total Price
18	10 EA	1" Air Release Valve	Dollars Cents	
19	80 LF	WVDOH Type "B" Trench Repair	Dollars Cents	
20	23,500 LF	WVDOH Rock-Lined Ditch	Dollars Cents	
21	23,500 LF	WVDOH Inspection Fees Zero Eighty Five	Dollars Cents	\$0.85 \$19,975.00
22	1,100 LF	Gravel Driveway/Road Repair	Dollars Cents	
23	4,000 LF	Reclamation of Disturbed Area	Dollars Cents	
TOTAL BASE BID:				
				(\$)

(Amounts are to be shown in both words and figures. In case of discrepancy, the amount shown in words will govern.)

NOTE: THE CONTRACTOR'S UNIT PRICES SHALL INCLUDE PURCHASE AND INSTALLATION, COMPLETE IN PLACE, PER BID ITEM IN ACCORDANCE WITH THE DETAILED SPECIFICATIONS.

Bidder acknowledges that (1) each Bid Unit Price includes an amount considered by Bidder to be adequate to cover Contractor's overhead and profit for each separately identified item, and (2) estimated quantities are not guaranteed, and are solely for the purpose of comparison of Bids, and final payment for

all unit price Bid items will be based on actual quantities, determined as provided in the Contract Documents.

METHOD OF AWARD

If at the time this contract is to be awarded, the lowest Total Base Bid submitted by a qualified, responsible Bidder does not exceed the amount of funds then estimated by the Owner, as available to finance the contract, the construction contract will be awarded. If such bids exceed such amount, the Owner may reject all bids.

The owner may award the contract on the Total Bid submitted by a qualified responsible Bidder less the amount(s) of the Deductive Alternate(s) subtracted in numerical order, as listed in the contract to produce the lowest bid within the funds available for financing.

- A. Unit prices have been computed in accordance with paragraph 13.03.A of the General Conditions.
- B. Bidder acknowledges that estimated quantities are not guaranteed, and are solely for the purpose of comparison of Bids, and final payment for all Unit Price Bid items will be based on actual quantities, determined as provided in the Contract Documents.

ARTICLE 6 – TIME OF COMPLETION

- 6.01 Bidder agrees that the Work will be substantially complete and will be completed and ready for final payment in accordance with Paragraph 15.06 of the General Conditions on or before the dates or within the number of calendar days indicated in the Agreement.
- 6.02 Bidder accepts the provisions of the Agreement as to liquidated damages.

ARTICLE 7 – ATTACHMENTS TO THIS BID

- 7.01 The following documents are submitted with and made a condition of this Bid:
 - A. Bid Opening Requirements

ARTICLE 8 – DEFINED TERMS

- 8.01 The terms used in this Bid with initial capital letters have the meanings stated in the Instructions to Bidders, the General Conditions, and the Supplementary Conditions.

ARTICLE 9 – BID SUBMITTAL

BIDDER: *[Indicate correct name of bidding entity]*

By:

[Signature]

[Printed name]

(If Bidder is a corporation, a limited liability company, a partnership, or a joint venture, attach evidence of authority to sign.)

Attest:

[Signature]

[Printed name]

Title:

Submittal Date:

Address for giving notices:

Telephone Number:

Fax Number:

Contact Name and e-mail address:

Bidder's License No.:

(where applicable)

NOTE TO USER: Use in those states or other jurisdictions where applicable or required.

SECTION 012000 - PRICE AND PAYMENT PROCEDURES

PART 1 - GENERAL

1.1 RELATED DOCUMENTS

- A. Drawings and general provisions of the Contract Documents, including General and Supplementary Conditions, Division 01, and all related Specification Sections, apply to this Section.

1.2 SECTION INCLUDES

- A. Schedule of Values.
- B. Application for Payment.
- C. Change procedures.
- D. Defect assessment.
- E. Measurement and Payment.
- F. Alternates.

1.3 SCHEDULE OF VALUES

- A. Submit printed schedule on Progress Estimate schedule on EJCDC C-620.
- B. Submit Schedule of Values in duplicate within twenty (20) days after date established in Notice to Proceed.
- C. Format: Identify each line item with number and title of major Specification Section. Contractor shall submit a balanced Schedule of Values. The total value of activities shall equal the identifiable Contract Price. The Schedule of Values shall be accompanied by a proposed cash flow for the duration of the Project. Line items shall be broken down as appropriate and listed as units. Overhead and profit shall be prorated to all the activities.
 - 1. Unless otherwise specified, the Schedule of Values shall include the following percentages for each of the listed activities:
 - a. Mobilization, Bonds, Insurance, and Demobilization: no greater than 5 percent
 - b. As-Built Drawings: no less than 1 percent
 - c. Punchlist: no less than 2 percent
 - d. Final Bound O&M Manuals: no less than 1 percent
 - e. All Spare Parts Values not specifically assigned elsewhere: no less than 0.5 percent

- f. Testing: no less than 1 percent
 - 2. Schedules whose non-equipment related cash flow exceeds 10 percent of the total Contract amount (exclusive of equipment) in any one (1) month, or 45 percent of the total Contract amount (exclusive of equipment) in any three (3) consecutive months shall be deemed unacceptable and require revision. Exceptions may be granted at the discretion of the Engineer for unusual circumstances or non-routine construction.
 - 3. If, in the opinion of Engineer or Owner, the Schedule of Values is unbalanced, Contractor shall submit documentation substantiating the cost allocations of those activities believed to be unbalanced. No pay requests will be accepted until the Schedule of Values submittals has been marked “No Exceptions Taken” or “Make Corrections Noted” by Engineer.
- D. Include within each line item, direct proportional amount of Contractor’s overhead and profit.
 - E. Revise schedule to list approved Change Orders with each Application for Payment.

1.4 APPLICATION FOR PAYMENT

- A. Submit six (6) copies of each Application for Payment on EJCDC C-620 – Contractor’s Application for Payment.
- B. Content and Format: Use Schedule of Values for listing items in Application for Payment.
- C. Submit updated construction schedule and payment schedule with each Application for Payment.
- D. Payment Period: Submit at intervals stipulated in the Agreement.
- E. Submit submittals with transmittal letter as specified in Section 013300 - Submittal Procedures.
- F. Substantiating Data: When Engineer requires substantiating information, submit data justifying dollar amounts in question. Include the following with Application for Payment:
 - 1. Current construction photographs
 - 2. Partial release of Liens from major Subcontractors and vendors.
 - 3. Record Documents as specified in Section 017000 - Execution and Closeout Requirements, for review by Owner, which will be returned to Contractor.
 - 4. Affidavits attesting to off-Site stored products.
 - 5. Construction Progress Schedule, revised and current as specified in Section 013300 - Submittal Procedures.
 - 6. Affidavit of Previous Payments.
 - 7. Adverse Weather Day documentation.

1.5 CHANGE PROCEDURES

- A. Submittals: Submit name of individual who is authorized to receive change documents and is responsible for informing others in Contractor’s employ or Subcontractors of changes to the Work.

- B. Carefully study and compare Contract Documents before proceeding with fabrication and installation of Work. Promptly advise Engineer of any error, inconsistency, omission, or apparent discrepancy.
- C. Requests for Interpretation (RFI) and Clarifications: Allot time in construction scheduling for liaison with Engineer; establish procedures for handling queries and clarifications.
 - 1. Use Request for Information Form for requesting interpretations (provided by Engineer upon request).
 - 2. Engineer may respond with a direct answer on the Request for Information form, separate Engineer Response, EJCDC C-942 - Field Order, or EJCDC C-940 - Work Change Directive Form.
- D. Engineer will advise of minor changes in the Work not involving adjustment to Contract Sum/Price or Contract Time by issuing supplemental instructions on EJCDC C-942.
- E. Engineer may issue Notice of Change including a detailed description of proposed change with supplementary or revised Drawings and Specifications, a change in Contract Time for executing the change with stipulation of overtime Work required and with the period of time during which the requested price will be considered valid. Contractor will prepare and submit estimate within ten (10) days.
- F. Contractor may propose changes by submitting a request for change to Engineer, describing proposed change and its full effect on the Work. Include a statement describing reason for the change and the effect on Contract Sum/Price and Contract Time with full documentation and a statement describing effect on the Work by separate or other Contractors.
- G. Stipulated Sum/Price Change Order: Based on Proposal Request or Work Change Directive and Contractor's maximum price quotation or Contractor's request for Change Order as approved by Engineer.
- H. Unit Price Change Order: For Contract unit prices and quantities, the Change Order will be executed on a fixed unit price basis. For unit costs or quantities of units of that which are not predetermined, execute Work under Work Directive Change. Changes in Contract Sum/Price or Contract Time will be computed as specified for Time and Material Change Order.
- I. Work Change Directive: Engineer may issue directive, on EJCDC C-940 - Work Change Directive, instructing Contractor to proceed with change in the Work, for subsequent inclusion in a Change Order. Document will describe changes in the Work and designate method of determining any change in Contract Sum/Price or Contract Time. Promptly execute change.
- J. Time and Material Change Order: Submit itemized account and supporting data after completion of change, within time limits indicated in Conditions of the Contract. Engineer will determine change allowable in Contract Sum/Price and Contract Time as provided in Contract Documents.
- K. Maintain detailed records of Work done on time and material basis. Provide full information required for evaluation of proposed changes and to substantiate costs for changes in the Work.

- L. Document each quotation for change in Project Cost or Time with sufficient data to allow evaluation of quotation.
- M. Change Order Forms: EJCDC C-941 - Change Order.
- N. Execution of Change Orders: Engineer will issue Change Orders for signatures of parties as provided in Conditions of the Contract.
- O. Correlation of Contractor Submittals:
 - 1. Promptly revise Schedule of Values and Application for Payment forms to record each authorized Change Order as separate line item and adjust Contract Sum/Price.
 - 2. Promptly revise Progress Schedules to reflect change in Contract Time, revise sub-schedules to adjust times for other items of Work affected by the change, and resubmit.
 - 3. Promptly enter changes in Record Documents.

1.6 DEFECT ASSESSMENT

- A. Replace the Work, or portions of the Work, not conforming to specified requirements.
- B. If, in the opinion of Engineer or Owner, it is not practical to remove and replace the Work, Engineer or Owner will direct appropriate remedy or adjust payment.
- C. The defective Work may remain, but unit sum/price will be adjusted to new sum/price at discretion of Owner.
- D. Defective Work will be partially repaired according to instructions of Engineer, and unit sum/price will be adjusted to new sum/price at discretion of Owner.
- E. Individual Specification Sections may modify these options or may identify specific formula or percentage sum/price reduction.
- F. Authority of Owner to assess defects and identify payment adjustments is final.
- G. Nonpayment for Rejected Products: Payment will not be made for rejected products for any of the following reasons:
 - 1. Products wasted or disposed of in a manner that is not acceptable.
 - 2. Products determined as unacceptable before or after placement.
 - 3. Products not completely unloaded from transporting vehicle.
 - 4. Products placed beyond lines and levels of the required Work.
 - 5. Products remaining on hand after completion of the Work.
 - 6. Loading, hauling, and disposing of rejected products.

1.7 MEASUREMENT AND PAYMENT

- A. General Requirements

1. Contractor shall take measurements and compute quantities. Resident Project Representative and Engineer will verify measurements and quantities.
2. Unit Quantities: Quantities and measurements indicated on Bid Form are for Contract purposes only. Actual quantities provided shall determine payment.
 - a. When actual Work requires more or fewer quantities than those quantities indicated, provide required quantities at Contracted unit sum/prices.
 - b. When actual Work requires 25 percent or greater change in quantity than those quantities indicated, Owner or Contractor may claim a Contract Price adjustment.
3. Payment Includes: Full compensation for required labor, products, tools, equipment, plant and facilities, transportation, services and incidentals; erection, application, or installation of item of the Work; overhead and profit.
4. Final payment for Work governed by unit prices will be made on basis of actual measurements and quantities accepted by Engineer multiplied by unit sum/price for Work incorporated in or made necessary by the Work.

B. Measurement of Quantities

1. Weigh Scales: Inspected, tested, and certified by applicable West Virginia weights and measures department within past year.
2. Platform Scales: Of sufficient size and capacity to accommodate conveying vehicle.
3. Metering Devices: Inspected, tested, and certified by applicable West Virginia department within past year.
4. Measurement by Weight: Concrete reinforcing steel, rolled or formed steel, or other metal shapes will be measured by handbook weights. Welded assemblies will be measured by handbook or scale weight.
5. Measurement by Volume: Measured by cubic dimension using mean length, width, and height or thickness.
6. Measurement by Area: Measured by square dimension using mean length and width or radius.
7. Linear Measurement: Measured by linear dimension, at item centerline or mean chord.
8. Stipulated Sum/Price Measurement: Items measured by weight, volume, area, or linear means or combination, as appropriate, as completed item or unit of the Work.

C. Unit Price Schedule:

1. Bid Item 1 – Mobilization/Demobilization
 - a. This Bid Item shall include the performance of construction preparatory operations, including the movement of equipment and personnel to and from the Project Site, establishment and decommissioning of Contractor's Field Office, storage buildings, and other facilities necessary to conduct Work under this Contract.
 - b. Payment shall be made at the lump sum (LS) price Bid for Mobilization/Demobilization, but in no case shall the total lump sum Bid Price exceed 5 percent of the total Bid.
 - c. Partial Payments of the lump sum Bid amount for mobilization/demobilization shall be as follows:

- 1) One-fourth of the amount Bid for Mobilization/Demobilization will be released to the Contractor as the first estimate payable, not less than fifteen (15) days after the start of Work at the Project Site.
 - 2) The second one-fourth of the amount Bid for Mobilization/Demobilization shall be released with the estimate payable thirty (30) days after the first estimate.
 - 3) The third one-fourth of the amount Bid for Mobilization/Demobilization shall be released with the estimate payable thirty (30) days later than the estimate in which the second one-fourth has been paid.
 - 4) The final one-fourth of the amount Bid for Mobilization/Demobilization shall be released with the final payment.
 - 5) No reduction will be made, nor any increase be made, in the lump sum Mobilization/Demobilization Bid Price amount regardless of decreased or increases in the final total Contract amount or for any other cause.
2. Bid Item 2 – Pre-Construction Video of Project Area – Section 024010
- a. The cost of this work shall be included in a lump sum Bid Item. Such payment shall constitute full compensation for labor, materials, equipment and other cost associated to provide a complete documentation.
 - b. Videotaping shall include the entire construction area affected, including any Contractor secured waste site and material storage or staging areas. The measurement for this Bid Item shall be based on a complete video recording on a DVD of the entire project area.
3. Bid Item 3 – Erosion and Sedimentation Controls – Section 312500
- a. The cost for this Work shall be a lump sum.
 - b. This Bid Item shall include all costs associated with erosion and sedimentation controls including all materials and labor for installation, maintenance, and removal.
 - c. The cost of this Work shall be paid for at the lump sum Bid price for all erosion and sedimentation controls at all locations directly and/or indirectly disturbed by the Work.
4. Bid Item 4 – 6” PVC DR-18 Water Line
- a. The pipe installed under this Bid Item shall be measured and paid for by the linear feet of pipe installed complete in place. The measurements under this Bid Item shall be the length of pipe and fittings installed in place and accepted and shall be measured in the horizontal plane along the centerline of pipe installed, measured centerline of tie-in to centerline of tie-in.
 - b. The quantities determined as provided above will be paid for at the unit price Bid, which shall be full compensation for excavation, bedding, backfilling, and furnishing all materials and doing all the work herein described in a workmanlike and acceptable manner, including all labor, tools, equipment, supplies, testing and incidentals necessary to complete the work.
 - c. Fittings, whether ductile iron or PVC, will be paid for as part of linear foot of pipe.

5. Bid Item 5 - 6" HDPE DR-9 Water Line (Directional Drill) w/Concrete Anchors
 - a. This Bid Item shall include all required labor, materials, equipment and all other costs associated with the installation of the 6" HDPE Water Line (Directional Drill) including, excavation and restoration of launching and receiving pits, backfill, materials, fittings, pipe joints, pipe, tools, supplies, cleaning and disinfection, testing, seeding and mulching, and all other incidentals. All items and appurtenances shall be included in the linear foot price of the pipe. All temporary fittings (i.e. plugs) required for sequencing the work shall be included in the linear foot price of the pipe.
 - b. The quantities determined as provided above will be paid for at the unit price Bid, which shall be full compensation for excavation, bedding, backfilling, and furnishing all materials and doing all the work herein described in a workmanlike and acceptable manner, including all labor, tools, equipment, supplies, testing and incidentals necessary to complete the work.
 - c. All fittings required for tie-in will be paid for as part of the linear foot price.

6. Bid Item 6 – 2" SDR 13.5 CL-315 Water Line
 - a. The pipe installed under this Bid Item shall be measured and paid for by the linear feet of pipe installed complete in place. The measurements under this Bid Item shall be the length of pipe and fittings installed in place and accepted and shall be measured in the horizontal plane along the centerline of pipe installed, measured centerline of tie-in to centerline of tie-in.
 - b. The quantities determined as provided above will be paid for at the unit price Bid, which shall be full compensation for excavation, bedding, backfilling, and furnishing all materials and doing all the work herein described in a workmanlike and acceptable manner, including all labor, tools, equipment, supplies, testing and incidentals necessary to complete the work.
 - c. Fittings, whether ductile iron or PVC, will be paid for as part of linear foot of pipe.

7. Bid Item 7 – 12" Steel Casing (Open Cut) w/Casing Spacers
 - a. This Bid Item shall include all labor and material necessary for, and incidental to, the construction of the crossing, complete in place, including, but not limited to, excavation, sheeting, bracing, backfilling, grouting, casing seal, blocking, etc.
 - b. Measurement and payment under this Bid Item shall be measured and paid for at the unit price Bid per linear foot of the overall length of the casing pipe satisfactorily installed.
 - c. Payment shall be for casing pipe only; carrier pipe shall be paid by the unit Bid price per foot.
 - d. Compensation for unauthorized casing footage beyond that which is called for in the Drawings and Specifications will not be made.

8. Bid Item 8 – 12" Steel Casing (Bore & Jack) w/Casing Spacers
 - a. This Bid Item shall include all labor and material necessary for, and incidental to, the construction of the crossing, complete in place, including, but not limited to, excavation, sheeting, bracing, backfilling, grouting, casing seal, blocking, etc.

- b. Measurement and payment under this Bid Item shall be measured and paid for at the unit price Bid per linear foot of the overall length of the casing pipe satisfactorily installed.
 - c. Payment shall be for casing pipe only; carrier pipe shall be paid by the unit Bid Price per foot.
9. Bid Item 9 - 1" Polyethylene Service Tubing (Bore & Jack)
- a. This Bid Item shall include all required labor, materials, equipment and all other costs associated with the installation of the 1" Polyethylene Service Tubing, Complete including, excavation, launching and receiving pits, backfill, materials, fittings, pipe joints, pipe, tools, supplies, cleaning and disinfection, testing, seeding and mulching, and all other incidentals. All items and appurtenances shall be included in the linear foot price of the pipe. All temporary fittings (i.e. plugs) required for sequencing the work shall be included in the linear foot price of the pipe.
 - b. The waterline installed under this Bid Item shall be based on the unit price Bid, measured and paid for by the linear feet of pipe for each of the types and sizes as specified on Plans or as directed by the Engineer, and installed complete in place. The measurement under this Bid Item shall be the length of pipe and fittings as installed in place and accepted and shall be measured in the horizontal plane along the centerline of each pipe installed, measured centerline of tie in to centerline of tie in.
10. Bid Item 10 – 3/4" Polyethylene Service Tubing (Open Cut)
- a. The pipe installed under this Bid Item shall be measured and paid for by the linear feet of pipe installed complete in place. The measurements under this Bid Item shall be the length of pipe and fittings installed in place and accepted and shall be measured in the horizontal plane along the centerline of pipe installed, measured centerline of tie-in to centerline of tie-in.
 - b. The quantities determined as provided above will be paid for at the unit price Bid, which shall be full compensation for excavation, bedding, backfilling, and furnishing all materials and doing all the work herein described in a workmanlike and acceptable manner, including all labor, tools, equipment, supplies, testing and incidentals necessary to complete the work.
 - c. Fittings will be paid for as part of linear foot of pipe.
11. Bid Item 11 – 3/4" Polyethylene Service Tubing (Bore & Jack)
- a. This Bid Item shall include all required labor, materials, equipment and all other costs associated with the installation of the 3/4" Polyethylene Service Tubing, Complete including, excavation, launching and receiving pits, backfill, materials, fittings, pipe joints, pipe, tools, supplies, cleaning and disinfection, testing, seeding and mulching, and all other incidentals. All items and appurtenances shall be included in the linear foot price of the pipe. All temporary fittings (i.e. plugs) required for sequencing the work shall be included in the linear foot price of the pipe.
 - b. The waterline installed under this Bid Item shall be based on the unit price Bid, measured and paid for by the linear feet of pipe for each of the types and sizes as

specified on Plans or as directed by the Engineer, and installed complete in place. The measurement under this Bid Item shall be the length of pipe and fittings as installed in place and accepted and shall be measured in the horizontal plane along the centerline of each pipe installed, measured centerline of tie in to centerline of tie in.

12. Bid Item 12 – 3/4” Service Meter Setting (High Pressure, Meter Not Included)
 - a. This Bid Item shall include all required labor, materials, equipment and all other costs associated with the installation of the 3/4” Service Meter Setting (High Pressure, Meter Not Included) and associated appurtenances including excavation, bedding, backfill, and testing. This Bid Item shall include the purchase and installation of the well, lid, coppersetter, corporation stop and saddle, and including a 5’-0” stub of service tubing on the customers side of the meter. Meters are to be provided by Contract #3 and installed by the Town of Elizabeth.
 - b. Payment shall be based on per each Bid Price and shall be paid based on the reviewed Schedule of Values.
13. Bid Item 13 – 6” M.J.T. Gate Valve w/Box and Lid
 - a. This Bid Item shall include all required labor, materials, equipment and all other costs associated with the installation of the 6” gate valve and associated valve box including excavation, bedding, backfill, and testing.
 - b. Payment shall be based on per each Bid Price and shall be paid based on the reviewed Schedule of Values.
14. Bid Item 14 – 2” M.J.T. Gate Valve w/Box and Lid
 - a. This Bid Item shall include all required labor, materials, equipment and all other costs associated with the installation of the 2” gate valve and associated valve box including excavation, bedding, backfill, and testing.
 - b. Payment shall be based on per each Bid Price and shall be paid based on the reviewed Schedule of Values.
15. Bid Item 15 – 6” Water Line Tie-In to Existing Water Line
 - a. This Bid Item shall include all required labor, materials, equipment and all other costs associated with the 6” Water Line Tie-In to Existing 6” Water Line as shown on the Drawings. The Bid Item shall include, but not be limited to, costs such as labor and materials required, fittings and incidental pipe, to make the proper connection.
 - b. Payment shall be based on per each Bid Price and shall be paid based on the reviewed Schedule of Values.
16. Bid Item 16 – Fire Hydrant Assembly, Complete
 - a. This Bid Item shall include all required labor, materials, equipment and all other costs associated with the installation of the fire hydrant assembly as shown on the plans, including excavation, bedding, backfill, and testing.

- b. Payment shall be based on per each Bid Price and shall be paid based on the reviewed Schedule of Values.
17. Bid Item 17 – 2” Post Flushing Hydrant Assembly, Complete
- a. This Bid Item shall include all required labor, materials, equipment and all other costs associated with the installation of the 2” Post Flushing Hydrant Assembly, Complete as shown on the plans, including excavation, bedding, backfill, and testing.
 - b. Payment shall be based on per each Bid Price and shall be paid based on the reviewed Schedule of Values.
18. Bid Item 18 – 1” Air Release Valve
- a. This Bid Item shall include all required labor, materials, equipment and all other costs associated with the installation of the 1” Combination Vacuum/Air Release Valve and associated appurtenances including excavation, bedding, backfill, and testing.
 - b. Payment shall be based on per each Bid Price and shall be paid based on the reviewed Schedule of Values.
19. Bid Item 19 – WVDOH Type “B” Trench Repair
- a. This Bid Item shall include all required labor, materials, equipment and all other costs associated with the type of trench repair within the WV Division of Highways Right-of-Way as shown on the Drawings or as directed by the Engineer, and installed complete in place. All costs associated with traffic control shall be included in the unit price. Trench repairs shall be paid for by the linear foot, without regard to width, times the Bid price. No payment shall be made for trench repair outside the limits shown on the Contract Documents.
 - b. Payment shall be based on horizontal linear footage of trench repair as determined by the Contractor and confirmed by the Engineer. The Engineer has final authority for measured quantity.
20. Bid Item 20 – WVDOH Rock-Lined Ditch
- a. This Bid Item shall include all required labor, materials, equipment and all other costs associated with the rock-lined ditch repair within the WV Division of Highways Right-of-Way as shown on the Drawings or as directed by the Engineer, and installed complete in place. All costs associated with traffic control shall be included in the unit price. Ditch repairs shall be paid for by the linear foot, without regard to width, times the Bid price. No payment shall be made for ditch repair outside the limits shown on the Contract Documents.
 - b. Payment shall be based on horizontal linear footage of ditch repair as determined by the Contractor and confirmed by the Engineer. The Engineer has final authority for measured quantity.

21. Bid Item 21 – WVDOH Inspection Fees

- a. This Bid Item shall include all costs associated with WVDOH Inspection services provided by WVDOH personnel. The Contractor will be required to compensate the WVDOH for the inspection services performed at the unit price Bid.
- b. Payment shall be based on linear footage of inspection services performed by the WVDOH personnel as determined in the field by the Contractor and confirmed by the Engineer.

22. Bid Item 22 – Gravel Driveway/Road Repair

- a. This Bid Item shall include all required labor, materials, equipment and all other costs associated with gravel driveway restoration. All costs required for traffic control shall be included in the unit price. Driveway repairs shall be paid for by the linear foot, without regard to width, times the Bid price. No payment shall be made for driveway repair outside the limits shown on the Contract Documents. No payment will be made for temporary paving required during construction. All driveway repair Work shall be included in this linear foot Bid Price.
- b. Payment shall be based on horizontal linear footage of driveway repair as determined by the Contractor and confirmed by the Engineer. The Engineer has final authority for measured quantity.

23. Bid Item 23 – Reclamation of Disturbed Area

- a. Measurement and Payment for this Bid Item shall include the purchase, delivery, and placement of lime, fertilizer, seed, and mulch and its application to all disturbed areas.

PART 2 - PRODUCTS (Not Used)

PART 3 - EXECUTION (Not Used)

END OF SECTION 012000

SECTION 331213 - WATER SERVICE CONNECTIONS

PART 1 - GENERAL

1.1 SUMMARY

A. Section Includes:

1. Pipe and fittings for 2- inch and smaller water service connections.
2. Corporation stop assemblies.
3. Curb stop assemblies.
4. Meter setting equipment.
5. Meter setters.
6. Water pressure reducing valve.
7. Water meters.
8. Backflow preventers.
9. Underground pipe markers.
10. Precast concrete vaults.
11. Bedding and cover materials.

B. Related Requirements:

1. Section 012000 - Price and Payment Procedures
2. Section 033000 - Cast-in-Place Concrete: Concrete for thrust restraints.
3. Section 310513 - Soils for Earthwork: Backfill soil type.
4. Section 310516 - Aggregates for Earthwork: Bedding and cover material type.
5. Section 312316.13 - Trenching: Excavation of pipe trench.
6. Section 331300 - Disinfecting of Water Utility Distribution: Flushing and disinfecting of water system.

1.2 REFERENCE STANDARDS

A. American Association of State Highway and Transportation Officials:

1. AASHTO T 180 - Standard Method of Test for Moisture-Density Relations of Soils Using a 4.54-kg (10-lb) Rammer and a 457-mm (18-in.) Drop.

B. American Society of Mechanical Engineers:

1. ASME B16.18 - Cast Copper Alloy Solder Joint Pressure Fittings.
2. ASME B16.22 - Wrought Copper and Copper Alloy Solder Joint Pressure Fittings.

C. American Society of Sanitary Engineering:

1. ASSE 1012 - Performance Requirements for Backflow Preventers with an Intermediate Atmospheric Vent.

2. ASSE 1013 - Performance Requirements for Reduced Pressure Principle Backflow Preventers and Reduced Pressure Principle Fire Protection Backflow Preventers.

D. ASTM International:

1. ASTM A48 - Standard Specification for Gray Iron Castings.
2. ASTM B62 - Standard Specification for Composition Bronze or Ounce Metal Castings.
3. ASTM B88 - Standard Specification for Seamless Copper Water Tube.
4. ASTM C858 - Standard Specification for Underground Precast Concrete Utility Structures.
5. ASTM D698 - Standard Test Methods for Laboratory Compaction Characteristics of Soil Using Standard Effort (12,400 ft-lbf/ft³ (600 kN-m/m³)).
6. ASTM D1557 - Standard Test Methods for Laboratory Compaction Characteristics of Soil Using Modified Effort (56,000 ft-lbf/ft³ (2,700 kN-m/m³)).
7. ASTM D1785 - Standard Specification for Poly(Vinyl Chloride) (PVC) Plastic Pipe, Schedules 40, 80, and 120.
8. ASTM D2241 - Standard Specification for Poly(Vinyl Chloride) (PVC) Pressure-Rated Pipe (SDR Series).
9. ASTM D2466 - Standard Specification for Poly(Vinyl Chloride) (PVC) Plastic Pipe Fittings, Schedule 40.
10. ASTM D2855 - Standard Practice for Making Solvent-Cemented Joints with Poly (Vinyl Chloride) (PVC) Pipe and Fittings.
11. ASTM D6938 - Standard Test Method for In-Place Density and Water Content of Soil and Soil-Aggregate by Nuclear Methods (Shallow Depth).

E. American Welding Society:

1. AWS A5.8 - Specification for Filler Metals for Brazing and Braze Welding.

F. American Water Works Association:

1. AWWA C600 - Installation of Ductile-Iron Mains and Their Appurtenances.
2. AWWA C700 - Cold-Water Meters - Displacement Type, Bronze Main Case.
3. AWWA C701 - Cold-Water Meters - Turbine Type, for Customer Service.
4. AWWA C702 - Cold-Water Meters - Compound Type.
5. AWWA C706 - Direct-Reading, Remote-Registration Systems for Cold-Water Meters.
6. AWWA C800 - Underground Service Line Valves and Fittings.
7. AWWA C901 - Polyethylene (PE) Pressure Pipe and Tubing, 1/2 In. Through 3 In., for Water Service.
8. AWWA M6 - Water Meters - Selection, Installation, Testing, and Maintenance.

1.3 SUBMITTALS

- A. Product Data: Submit data on pipe materials, pipe fittings, corporation stop assemblies, curb stop assemblies, meters, meter setting equipment, service saddles, backflow preventer, and accessories.
- B. Manufacturer's Certificate: Certify that products meet or exceed specified requirements.

- C. Manufacturer Instructions: Submit detailed instructions on installation requirements, including storage and handling procedures.
- D. Field Quality-Control Submittals: Indicate results of Contractor-furnished tests and inspections.

1.4 CLOSEOUT SUBMITTALS

- A. Project Record Documents: Record actual locations of piping mains, curb stops, connections, thrust restraints, and invert elevations.
- B. Identify and describe unexpected variations to subsoil conditions or discovery of uncharted utilities.

1.5 QUALITY ASSURANCE

- A. Perform Work according to AWWA standards.

1.6 QUALIFICATIONS

- A. Manufacturer: Company specializing in manufacturing products specified in this Section with minimum three (3) years' documented experience.

1.7 DELIVERY, STORAGE, AND HANDLING

- A. Section 016000 - Product Requirements: Requirements for transporting, handling, storing, and protecting products.
- B. Inspection: Accept materials on Site in manufacturer's original packaging and inspect for damage.
- C. Store products and materials off ground and under protective coverings and away from walls.
- D. Exercise care in handling precast concrete products to avoid chipping, cracking, and breakage.

PART 2 - PRODUCTS

2.1 WATER PIPING AND FITTINGS

- A. Copper Tubing:
 - 1. Comply with ASTM B88.
 - 2. Type K, annealed.
 - 3. Fittings: Conform to ASME B16.18, cast copper or ASME B16.22, wrought copper.
 - 4. Joints: Compression connection.
- B. Polyethylene Pipe:

1. Comply with AWWA C901 ASTM D3035, SDR9 for 200 psig pressure rating.
2. Fittings: Comply with AWWA C901, molded or fabricated.
3. Joints: Compression or Butt fusion.

2.2 CORPORATION STOP ASSEMBLIES

A. Manufacturers:

1. Ford Meter Box Co., Inc.
2. Substitutions: As approved by the Engineer.

Body: Brass or red brass alloy

B. Corporation Stops:

1. Comply with ASTM B62.
2. Body: Brass or red brass alloy.
3. Inlet End: Threaded for tapping according to AWWA C800.
4. Outlet End: Suitable for service pipe specified.

C. Service Saddles:

1. Type: Double strap.
2. Designed to hold pressures in excess of pipe working pressure.

2.3 CURB STOP ASSEMBLIES

A. Manufacturers:

1. Ford Meter Box Co., Inc.
2. Substitutions: As approved by the Engineer.

B. Curb stop shall be water works, angle meter valve consistent with IPS sizes and polyethylene tubing with proper connection fittings. All brass shall conform to AWWA C800.

C. Curb Stops:

1. Body: Brass or red brass alloy.
2. Comply with ASTM B62.
3. Valve Type: Plug.
4. Sealing: Positive pressure.

D. Curb Boxes and Covers:

1. Body: Cast iron.
2. Type: Extension.
3. Base: Arch pattern.
4. Lid:

- a. Inscription: WATER.
- b. Plug: Pentagonal.

2.4 METER SETTING EQUIPMENT

A. Manufacturers:

- 1. Ford Meter Box Co., Inc.
- 2. Substitutions: As approved by the Engineer.

B. Outside Meter Setting:

- 1. Meter Yokes:
 - a. Material: Copper.
 - b. Inlets and Outlets: Horizontal setting, with matching couplings, fittings, and stops.

2.5 METER SETTERS

A. Manufacturers:

- 1. Ford Meter Box Co., Inc.
- 2. Substitutions: As approved by the Engineer.

B. Single Meter Setters (Low Pressure):

- 1. AWWA Specifications: AWWA C-800
- 2. Material: Copper
 - a. Conforms to ASTM B-75, Copper Alloy #122
- 3. Fitting Sizes: 5/8"x3/4"
- 4. Fitting Type: Reducing
- 5. Height: 12"
- 6. Average Weight: 5.9 lbs.
- 7. End Connections: CTS Pack Joint
- 8. Components:
 - a. Pack Joint Inlet
 - b. Angle Key Valve
 - c. Angle Check Valve
 - d. Bracing Eye
 - e. Pack Joint Outlet
- 9. Lead Law Compliant: Yes

C. Tandem Meter Setters (High Pressure):

- 1. AWWA Specifications: AWWA C-800
- 2. Material: Copper
 - a. Conforms to ASTM B-75, Copper Alloy #122
- 3. Fitting Sizes: 5/8"x3/4"
- 4. Fitting Type: Reducing
- 5. Height: 12"
- 6. Average Weight: 5.9 lbs.
- 7. End Connections: CTS Pack Joint

8. Components:
 - a. Pack Joint Inlet
 - b. Angle Key Valve
 - c. Male Iron Pipe by Male Meter Thread Regulator Adapter
 - d. S-Tube
 - e. Male Iron Pipe by Male Meter Thread Regulator Adapter
 - f. Angle Check Valve
 - g. Bracing Eye
 - h. Pack Joint Outlet
9. Lead Law Compliant: Yes

2.6 WATER PRESSURE REDUCING VALVE

- A. Manufacturers:
 1. Zurn Wilkins
 2. Substitutions: As approved by the Engineer.
- B. Materials:
 1. Main Valve Body: Low Lead Cost Bronze ASTM B 584
 2. Access Covers: Low Lead Cost Bronze ASTM B 584
Low Lead Brass
 3. Fasteners: Stainless Steel, 300 Series
 4. Stem & Plunger: Low Lead Cast Bronze ASTM B 584
Low Lead Brass
 5. Elastomers: Buna Nitrile, (FDA Approved)
EPDM, (FDA Approved)
 6. Cap Gaskets: Natural Vulcanized Fibre
Acetal (Delrin™), NSF Listed
 7. Strainer Screen: Stainless Steel, 300 Series Strainer
 8. Seat: Stainless Steel, 300 Series
- C. Features:
 1. Size: 3/4"
 2. Maximum Working Water Pressure: 300 psi
 3. Maximum Working Water Temperature: 140° F
 4. Reduced Pressure Range (Standard) 25 psi to 75 psi
 5. Factory Pretest: 50 psi
 6. Hydrostatic Test Pressure: 300 psi
 7. CPVC Tailpiece:
 - a. Max Hot Water Temperature: 140° F @ 100 psi
 - b. Cold Water Rated Temperature: 73.4°F @ 400 psi

2.7 WATER METERS

- A. Meters are to be provided by Contract #3 and installed by the Town of Elizabeth.

2.8 METER WELLS AND LIDS

A. Manufacturers:

1. Ford Meter Box Co., Inc.
2. Substitutions: As approved by the Engineer.

B. Meter Wells: 18"x24" white corrugated meter well when installing single service (low pressure) and tandem service (high pressure) meter setters.

C. Lids: Ford Model #A32 or Engineers approved equal.

2.9 MATERIALS

A. Bedding and Cover:

1. Bedding: Meets WVDOH 307 requirements, as specified in Section 310516 - Aggregates for Earthwork.
2. Bedding: Place bedding 6" above top of pipe.
3. Cover: Select Soil Backfill from Above Pipe to Finish Grade:
 - a. Soil Type: As specified in Section 310513 - Soils for Earthwork.
 - b. Soil Backfill: No rocks over 4 inches in diameter, frozen earth, or foreign matter.

2.10 ACCESSORIES

A. Concrete for Thrust Restraints: As specified in Section 033000 - Cast-in-Place Concrete .

PART 3 - EXECUTION

3.1 EXAMINATION

A. Verify that trench cut and excavation is ready to receive work.

3.2 PREPARATION

- A. Cut pipe ends square, ream pipe and tube ends to full pipe diameter, and remove burrs.
- B. Remove scale and dirt from inside and outside of piping before assembly.
- C. Prepare pipe connections to equipment with flanges or unions.

3.3 INSTALLATION

A. Corporation Stop Assemblies:

1. Make connection for each different kind of water main using suitable materials, equipment, and methods as approved by Engineer.
 2. Provide service clamps for mains constructed of materials other than cast iron or ductile iron.
 3. Location:
 - a. Provide full support for service clamp for full circumference of pipe, with minimum 2 inches width of bearing area. Attach corporation stops at 10 and 2 o'clock positions along the main's circumference.
 - b. Locate and stagger corporation stops at least 12 inches apart longitudinally.
 4. Plastic Pipe Mains:
 - a. Provide full support for service clamp for full circumference of pipe, with minimum 2 inches width of bearing area. Attach corporation stops at 10 and 2 o'clock positions along the main's circumference.
 - b. Exercise care against crushing or causing other damage to mains at time of tapping or installation of service clamp or corporation stop.
 5. Use proper seals or other devices such that no leaks are present in mains at points of tapping.
 6. Do not backfill and cover service connections until installation is approved by Engineer.
- B. Bedding:
1. Excavate pipe trench as specified in Section 312316.13 - Trenching.
 2. Placement:
 - a. Place bedding material at trench bottom.
 - b. Level fill materials in one continuous layer not exceeding 6 inches compacted depth.
 - c. Compact backfill to 100% maximum density of surrounding ground density.
 3. Place bedding around sides and 6" above top of pipe.
 4. Maintain optimum moisture content of fill material to attain required compaction density.
- C. Pipe and Fittings:
1. Maintain minimum separation of water lines from sewer piping of 18" vertical and 10' horizontal.
 2. Install pipe to indicated elevation.
 3. Install access fittings to permit disinfection of water system performed under Section 331300 - Disinfecting of Water Utility Distribution.
 4. Form and place concrete for thrust restraints at each elbow or change of direction of pipe.
 5. Establish elevations of buried piping with not less than 3 feet of cover over top of pipe.
- D. Curb Stop Assemblies:
1. Set curb stops on solid bearing.
 2. Boxes:
 - a. Center and plumb curb boxes over curb stops.

- b. Set box cover flush with finished grade.

E. Water Meters:

- 1. Install positive displacement meters according to AWWA M6, with isolating valves.
- 2. Installation Standards: Install Work in accordance with Manufacturer's recommendations and the Town of Elizabeth standards.

F. Service Connections:

- 1. Install water service according to utility company requirements.

G. Disinfection of Water Piping System:

- 1. Flush and disinfect system as specified in Section 331300 - Disinfecting of Water Utility Distribution.

3.4 FIELD QUALITY CONTROL

A. Request Inspection by Engineer prior to backfilling trench.

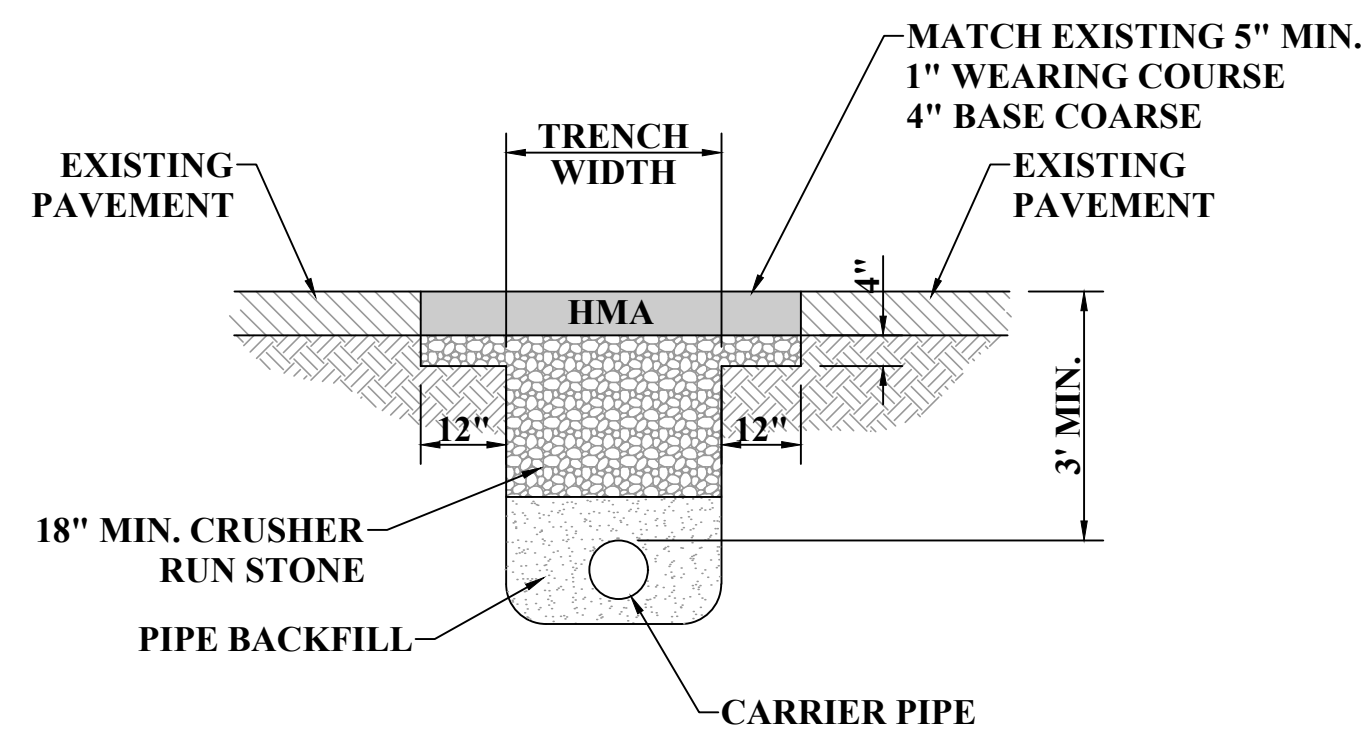
B. Pressure test water distribution system according to AWWA C600.

- 1. Test Pressure: Not less than 200 psig or 50 psi in excess of maximum static pressure, whichever is greater.
- 2. Conduct hydrostatic test for at least two hours.
- 3. Slowly fill with water section to be tested, and expel air from piping at high points.
- 4. Install corporation cocks at high points.
- 5. Close air vents and corporation cocks after air is expelled.
- 6. Raise pressure to specified test pressure.
- 7. Observe joints, fittings, and valves under test.
- 8. Remove and replace cracked pipes, joints, fittings, and valves that show visible leakage and retest.
- 9. Correct visible deficiencies and continue testing at same test pressure for additional two hours to determine leakage rate, maintaining test pressure within plus or minus 5.0 psi.
- 10. Leakage is defined as quantity of water supplied to piping as necessary to maintain test pressure during testing period.
- 11. Compute maximum allowable leakage using following formula:
 - a. $L = SD \times \sqrt{P}/C$.
 - 1) L = testing allowance, gph.
 - 2) S = length of pipe tested, feet.
 - 3) D = nominal diameter of pipe, inches.
 - 4) P = average test pressure during hydrostatic test, psig.
 - 5) C = 148,000.
 - b. If pipe under test contains sections of various diameters, calculate allowable leakage from sum of computed leakage for each size.

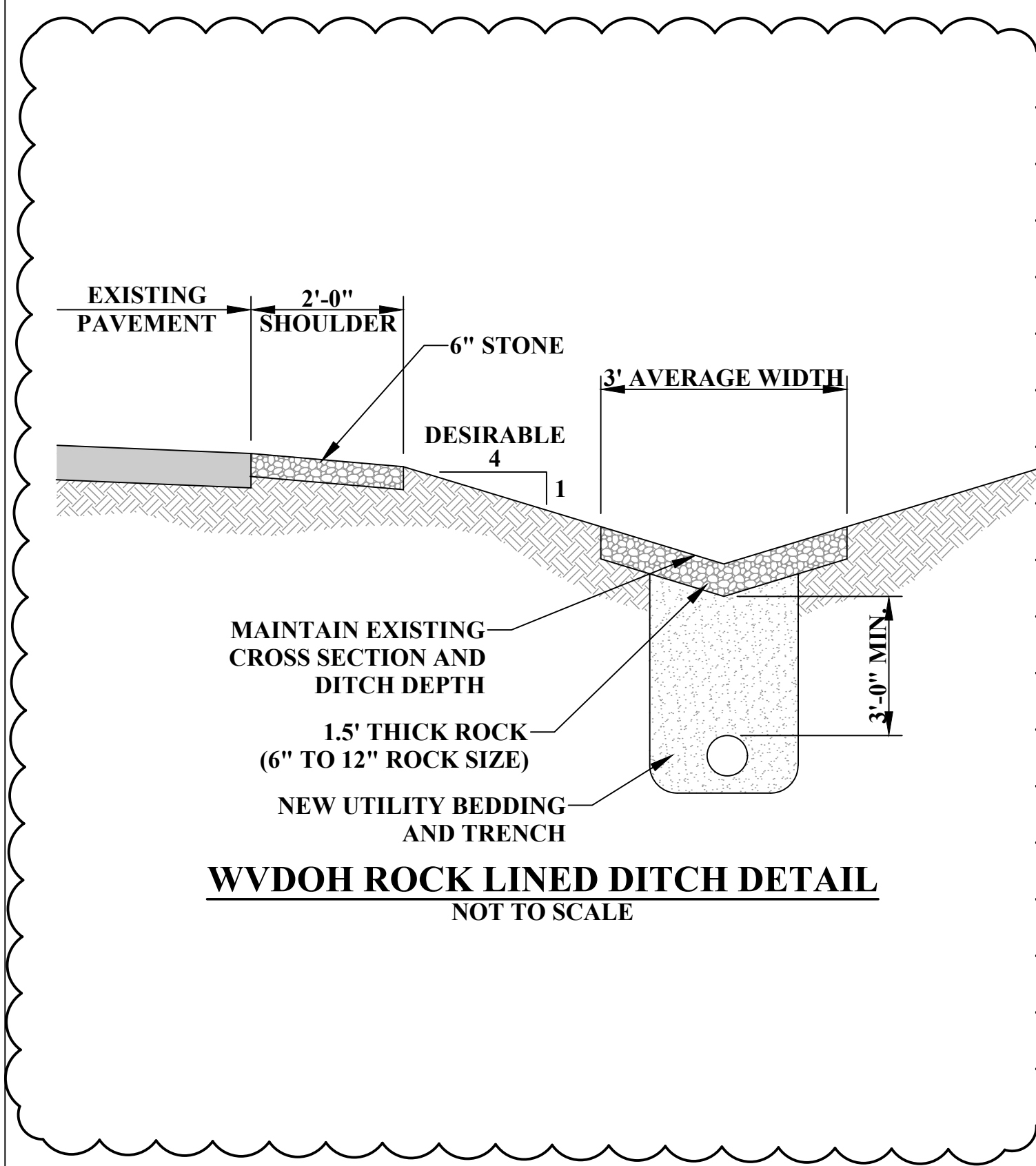
- 12. If test of pipe indicates leakage greater than that allowed, locate source of leakage, make corrections, and retest until leakage is within allowable limits.
 - 13. Correct visible leaks regardless of quantity of leakage.
- C. If tests indicate Work does not meet specified requirements, remove Work, replace, and retest.

END OF SECTION 331213

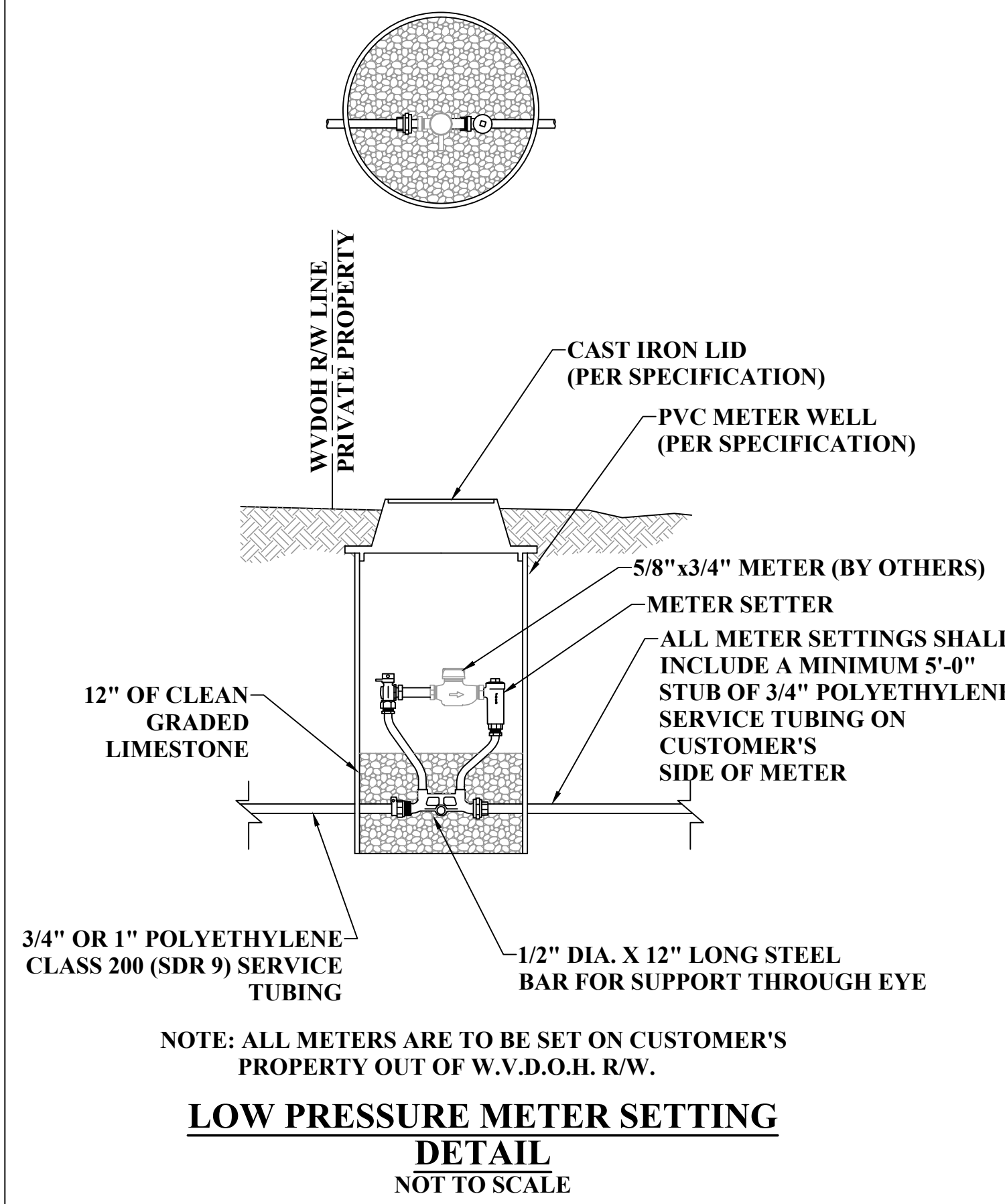
**ACCOMMODATION OF UTILITIES ON
WV DIVISION OF HIGHWAYS
RIGHTS OF WAY JUNE 2007**



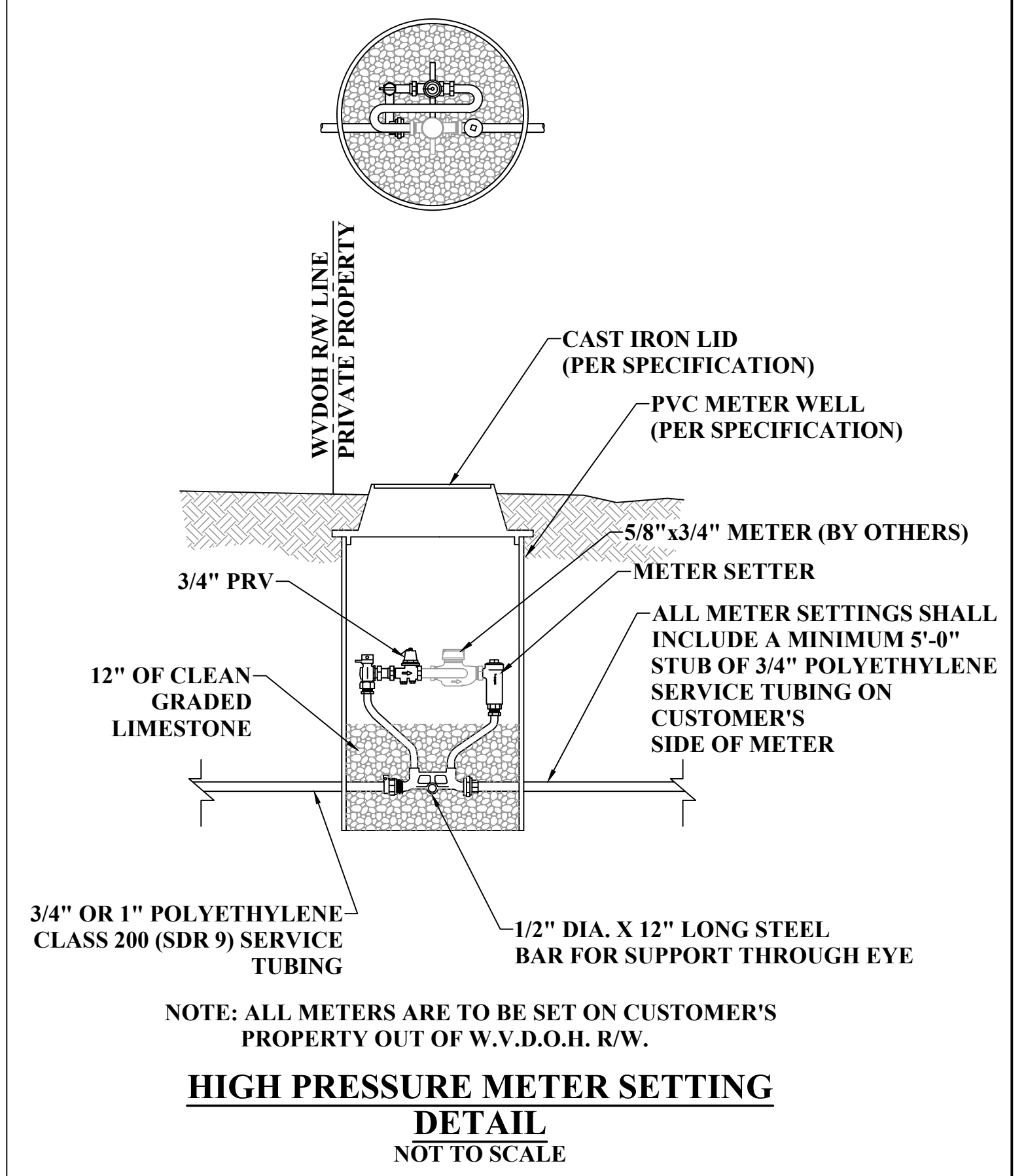
WVDOT TYPE "B" TRENCH REPAIR
NOT TO SCALE
HMA PAVEMENT
PRESENT AVERAGE DAILY TRAFFIC UNDER 2000
UNLESS HEAVY TRUCK TRAFFIC
DEFINED AS 20 TANDEM-AXLE
TRUCKS PER DAY, IS EVIDENT



WVDOT ROCK LINED DITCH DETAIL
NOT TO SCALE

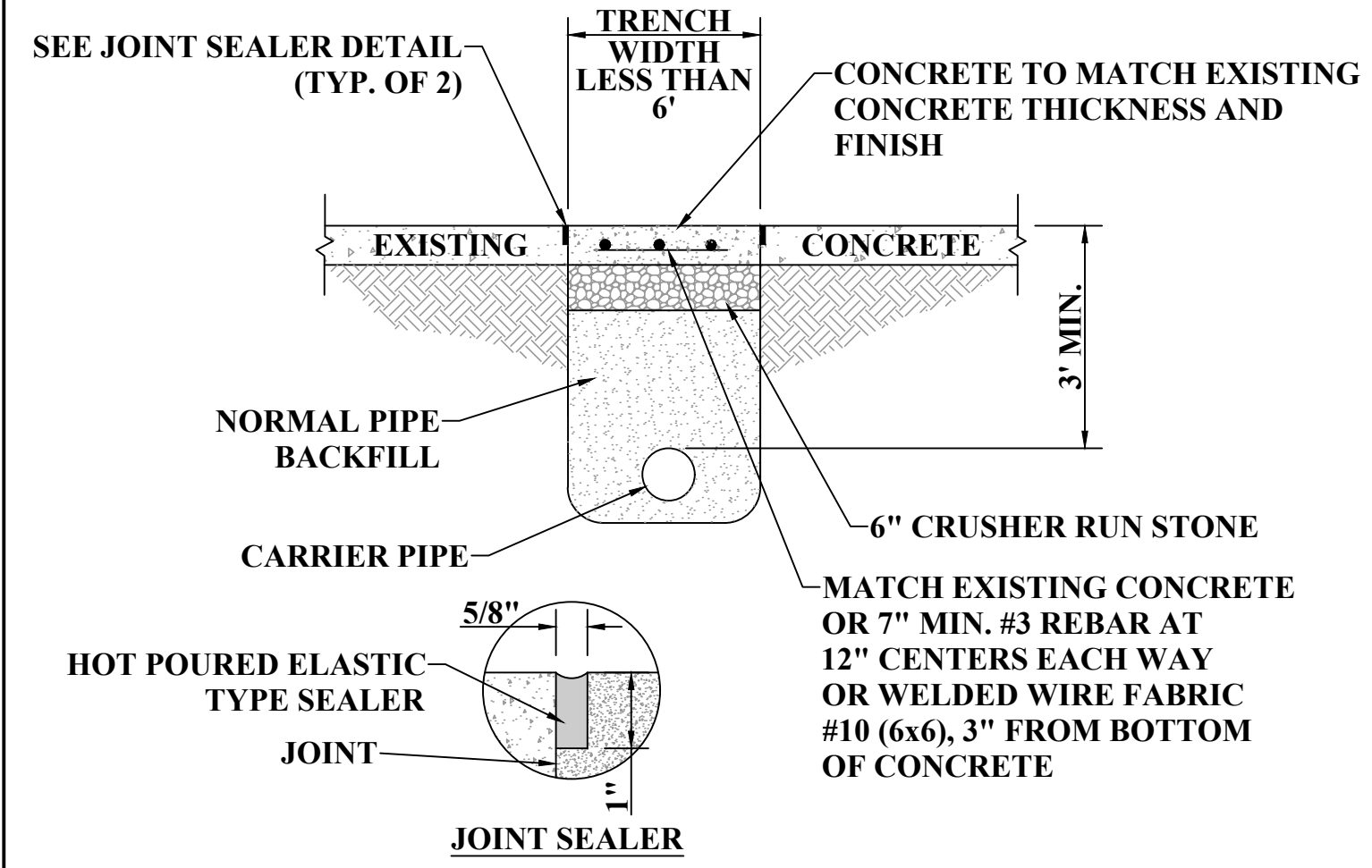


LOW PRESSURE METER SETTING
DETAIL
NOT TO SCALE



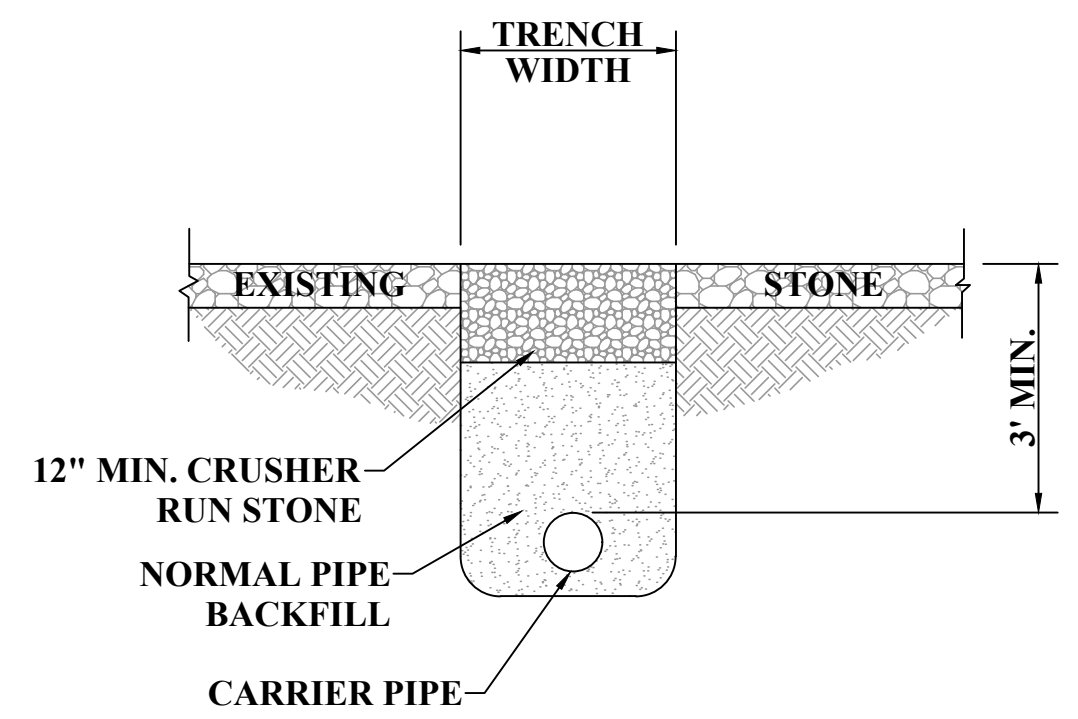
HIGH PRESSURE METER SETTING
DETAIL
NOT TO SCALE

**STREET, ROAD, AND DRIVEWAY REPAIR NOT IN
WVDOT RIGHTS OF WAY**



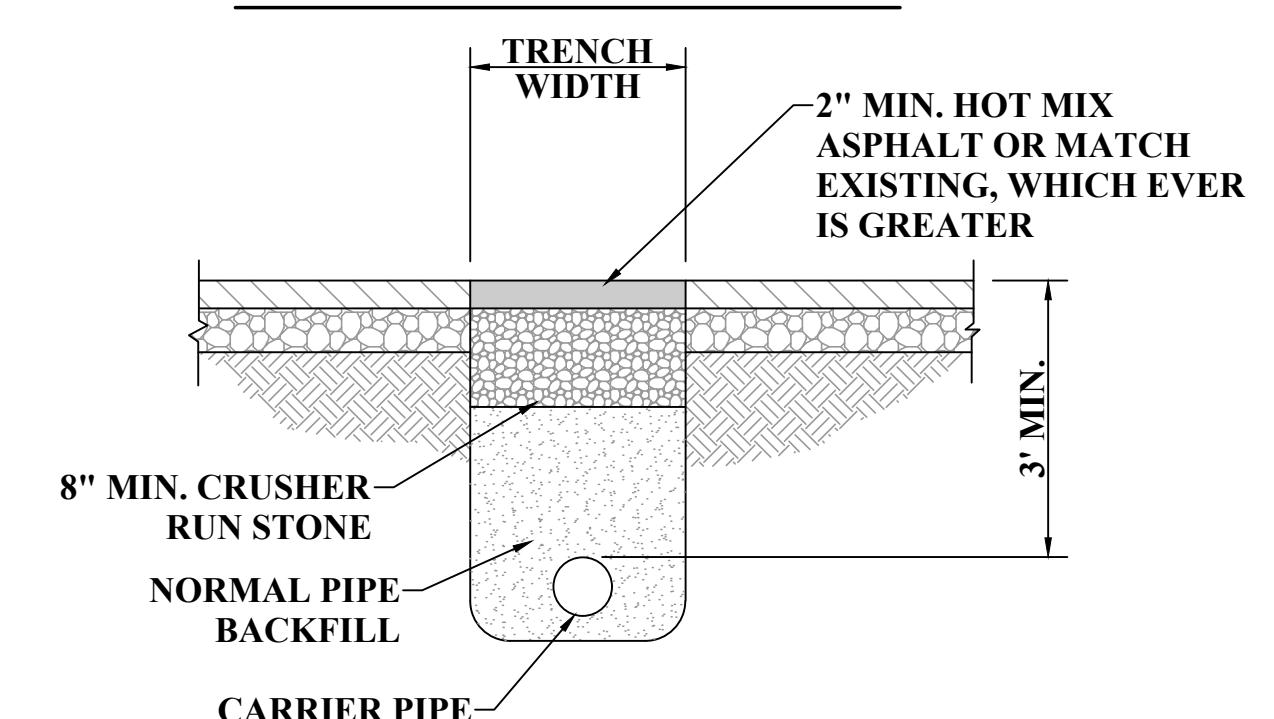
NOTE: ALL CONCRETE TO BE MINIMUM
3000 PSI, 6 BAG MIX, 7% AIR ENTRAINED
CONCRETE PAVEMENT
NOT TO SCALE

**STREET, ROAD, AND DRIVEWAY REPAIR NOT IN
WVDOT RIGHTS OF WAY**

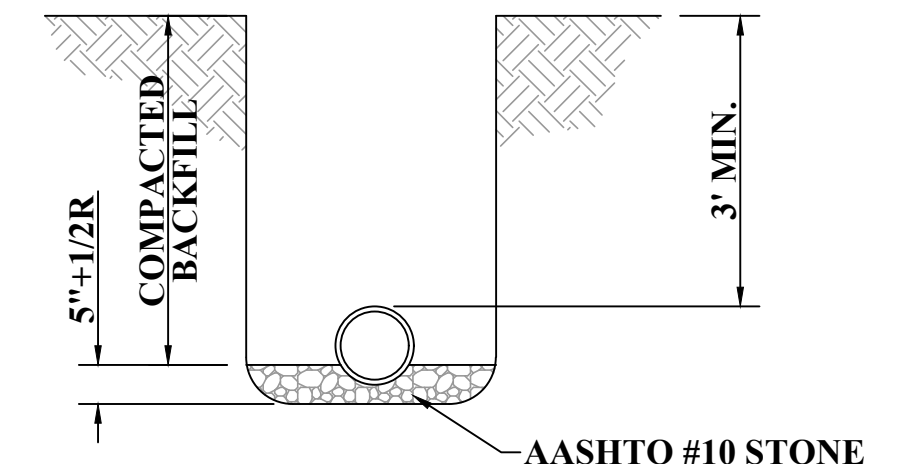


STONE ROADWAYS
NOT TO SCALE

**STREET, ROAD, AND DRIVEWAY REPAIR NOT IN
WVDOT RIGHTS OF WAY**

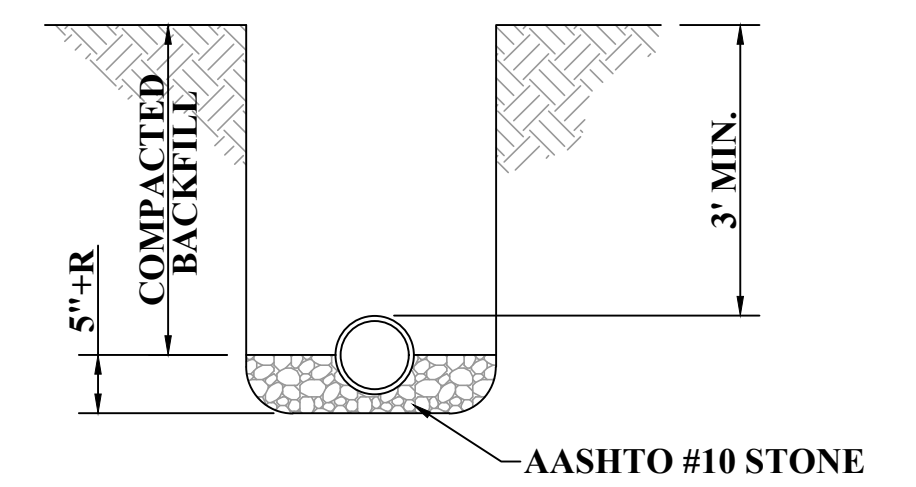


ASPHALT PAVEMENT
NOT TO SCALE



BEDDING FOR RIGID PIPE

NOTE: ALL LINES AND/OR CASINGS SHALL
BE INSTALLED UNDER OR AROUND
DRAINAGE STRUCTURES IN A
MANNER THAT WILL NOT OBSTRUCT
THE MAINTENANCE, REPLACEMENT
OR FREE FLOW OF WATER.



BEDDING FOR NON-RIGID PIPE

TYPICAL CROSS SECTION OF TRENCHES
NOT TO SCALE

USER: andrew soya LAYOUT: DI PLOT DATE/TIME: 4/20/2020 11:47 AM CAD FILE: M:\010-0808 - Town of Elizabeth Phase III\Drawings_Contract 2\C2-022-Water_Details.dwg

THE INFORMATION CONTAINED HEREIN IS THE
SOLE PROPERTY OF THE THRASHER GROUP INC.
REPRODUCTION OF THESE DOCUMENTS IN WHOLE
OR IN PART, FOR ANY REASON WITHOUT PRIOR
WRITTEN PERMISSION, IS STRICTLY PROHIBITED.
COPYRIGHT © 2020 THE THRASHER GROUP INC.

1	AS	4/20/20	ADDENDUM #2
NO.	BY	DATE	DESCRIPTION

SCALE: NOT TO SCALE

DRAWN: J. FISHER	DATE: OCTOBER 2018
CHECKED: E. BRICK	DATE: JANUARY 2019
APPROVED: J. ALDEN	DATE: JANUARY 2019
SURVEY DATE:	
SURVEY BY:	
FIELD BOOK No.:	

THRASHER
300 ASSOCIATION DRIVE
CHARLESTON, WV 25311
www.thrashergroup.com

PHONE (304)-343-7601 FAX (304)-343-7604

PHASE No.	3
CONTRACT No.	2
PROJECT No.	010-0808

TOWN OF ELIZABETH PHASE III
WIRT COUNTY, WEST VIRGINIA
CRESTON AREA
WATERLINE EXTENSION
TYPICAL WATER LINE DETAILS

SHEET No.
D1

"General Decision Number: WV20200051 04/24/2020

Superseded General Decision Number: WV20190051

State: West Virginia

Construction Type: Building

Counties: Wirt and Wood Counties in West Virginia.

BUILDING CONSTRUCTION PROJECTS (does not include single family homes or apartments up to and including 4 stories)

Note: Under Executive Order (EO) 13658, an hourly minimum wage of \$10.80 for calendar year 2020 applies to all contracts subject to the Davis-Bacon Act for which the contract is awarded (and any solicitation was issued) on or after January 1, 2015. If this contract is covered by the EO, the contractor must pay all workers in any classification listed on this wage determination at least \$10.80 per hour (or the applicable wage rate listed on this wage determination, if it is higher) for all hours spent performing on the contract in calendar year 2020. If this contract is covered by the EO and a classification considered necessary for performance of work on the contract does not appear on this wage determination, the contractor must pay workers in that classification at least the wage rate determined through the conformance process set forth in 29 CFR 5.5(a)(1)(ii) (or the EO minimum wage rate, if it is higher than the conformed wage rate). The EO minimum wage rate will be adjusted annually. Please note that this EO applies to the above-mentioned types of contracts entered into by the federal government that are subject to the Davis-Bacon Act itself, but it does not apply to contracts subject only to the Davis-Bacon Related Acts, including those set forth at 29 CFR 5.1(a)(2)-(60). Additional information on contractor requirements and worker protections under the EO is available at www.dol.gov/whd/govcontracts.

Modification Number	Publication Date
0	01/03/2020
1	01/24/2020
2	02/28/2020
3	04/03/2020
4	04/24/2020

ASBE0002-002 08/01/2019

	Rates	Fringes
ASBESTOS WORKER/HEAT & FROST INSULATOR.....	\$ 41.26	25.67

BOIL0667-005 03/01/2018

Rates	Fringes
-------	---------

BOILERMAKER.....\$ 39.38 23.77

BRWV0006-002 06/01/2019

Rates Fringes

BRICKLAYER.....\$ 29.77 19.65

BRWV0009-007 12/01/2019

Rates Fringes

TILE SETTER.....\$ 29.93 24.38

BRWV0009-008 12/01/2019

Rates Fringes

MASON - STONE.....\$ 29.93 24.38

BRWV0015-014 06/01/2018

Rates Fringes

TILE FINISHER.....\$ 23.59 19.95

CARP0436-006 12/01/2019

Rates Fringes

CARPENTER (Including Drywall Hanging, Form Work and Floor Laying-Hardwood and Vinyl).....\$ 28.40 22.75

CARP0443-009 12/01/2019

Rates Fringes

MILLWRIGHT.....\$ 34.75 24.05

ELEC0968-008 06/01/2019

Rates Fringes

ELECTRICIAN.....\$ 34.00 3%+17.20

ENGI0132-011 12/01/2018

Rates Fringes

POWER EQUIPMENT OPERATOR:

GROUP 1.....\$ 39.56 19.20
GROUP 2.....\$ 39.21 19.20
GROUP 3.....\$ 38.21 19.20
GROUP 4.....\$ 27.71 19.20

GROUP 1: All Friction Cranes, Tower Cranes and all Cranes with 180 ft. or more of boom including mast and jibs or

lifting capacity of 100 tons or more and hoists with 30,000 pound line pull or more, Mechanics with tools with 3/4 inch drive and below

GROUP 2: Operating Cranes and Tower Cranes with a lifting capacity of 15 tons and over

GROUP 3: Backhoe, Bulldozer, Excavator, Forklift, Non-Farm Type Tractor, all other Cranes, all other Mechanics

GROUP 4: Bobcat/Skid Steer/Skid Loader, Farm Type Tractor, Loader

IRON0549-006 12/01/2018

	Rates	Fringes
IRONWORKER (Ornamental).....	\$ 33.34	20.81

IRON0787-006 12/01/2018

	Rates	Fringes
IRONWORKER (Reinforcing).....	\$ 33.14	21.55

LAB00379-019 12/01/2017

	Rates	Fringes
LABORER Wacker Roller Operator.....	\$ 26.17	16.50

LAB01085-005 06/01/2017

	Rates	Fringes
LABORER.....	\$ 22.76	16.85

LABORER CLASSIFICATIONS

Airtool Operator, Bobcat Operator (Clean up/Demolition), Carpenter Tender, Chipping Guns, Common or General, Concrete Saw (Hand Held/Walk Behind), Concrete Worker, Demolition, Fence Erection, Flagger, Grade Checker, Jack Hammer, Landscape, Mason Tender-Brick, Mason Tender-Cement/Concrete, Mortar Mixer, Power Tool Operator, Scaffold Builder (Brick and Masonry), Signal Man, Skytrak Forklift Operator, Tamper (Hand Held), Water Boy

PAIN0970-009 12/01/2019

	Rates	Fringes
PAINTER (Brush, Roller and Spray).....	\$ 28.85	16.50

PAIN1144-005 12/01/2019

	Rates	Fringes
PAINTER (Drywall Finishing/Taping).....	\$ 27.91	15.55

PAIN1195-002 12/01/2018

	Rates	Fringes
GLAZIER.....	\$ 30.75	12.24

PLAS0926-007 06/01/2018

	Rates	Fringes
CEMENT MASON/CONCRETE FINISHER....	\$ 31.63	21.26

PLUM0565-002 07/01/2018

	Rates	Fringes
PIPEFITTER (Includes HVAC Pipe Installation).....	\$ 40.95	23.86

PLUM0565-004 07/01/2018

	Rates	Fringes
PLUMBER.....	\$ 40.95	23.86

ROOF0034-003 05/01/2019

	Rates	Fringes
ROOFER.....	\$ 29.00	13.71

SHEE0024-022 06/01/2015

	Rates	Fringes
SHEET METAL WORKER (Includes HVAC Duct Installation).....	\$ 27.71	23.18

TEAM0175-005 10/01/2019

	Rates	Fringes
Truck drivers:		
GROUP 2.....	\$ 29.30	17.81
GROUP 3.....	\$ 29.45	17.81

TRUCK DRIVER CLASSIFICATIONS

GROUP 2 - Dump Truck (Up to 5 cu. yds.), Water Tank Truck
(Straight)

GROUP 3 - Dump Truck (5 cu. yds. & over), Tractor Haul Truck,
Water Tank Truck (Semi)

* UAVG-WV-0024 01/01/2019

	Rates	Fringes
LABORER (Chain Saw Operator).....	\$ 22.76	16.85
LABORER (Motorized Buggy Operator).....	\$ 22.76	16.85

SUWV2012-049 08/13/2012

	Rates	Fringes
IRONWORKER, STRUCTURAL.....	\$ 25.72	16.50

WELDERS - Receive rate prescribed for craft performing
operation to which welding is incidental.

=====
Note: Executive Order (EO) 13706, Establishing Paid Sick Leave for Federal Contractors applies to all contracts subject to the Davis-Bacon Act for which the contract is awarded (and any solicitation was issued) on or after January 1, 2017. If this contract is covered by the EO, the contractor must provide employees with 1 hour of paid sick leave for every 30 hours they work, up to 56 hours of paid sick leave each year. Employees must be permitted to use paid sick leave for their own illness, injury or other health-related needs, including preventive care; to assist a family member (or person who is like family to the employee) who is ill, injured, or has other health-related needs, including preventive care; or for reasons resulting from, or to assist a family member (or person who is like family to the employee) who is a victim of, domestic violence, sexual assault, or stalking. Additional information on contractor requirements and worker protections under the EO is available at www.dol.gov/whd/govcontracts.

Unlisted classifications needed for work not included within the scope of the classifications listed may be added after award only as provided in the labor standards contract clauses (29CFR 5.5 (a) (1) (ii)).

The body of each wage determination lists the classification and wage rates that have been found to be prevailing for the cited type(s) of construction in the area covered by the wage determination. The classifications are listed in alphabetical order of ""identifiers"" that indicate whether the particular rate is a union rate (current union negotiated rate for local), a survey rate (weighted average rate) or a union average rate

(weighted union average rate).

Union Rate Identifiers

A four letter classification abbreviation identifier enclosed in dotted lines beginning with characters other than "SU" or "UAVG" denotes that the union classification and rate were prevailing for that classification in the survey. Example: PLUM0198-005 07/01/2014. PLUM is an abbreviation identifier of the union which prevailed in the survey for this classification, which in this example would be Plumbers. 0198 indicates the local union number or district council number where applicable, i.e., Plumbers Local 0198. The next number, 005 in the example, is an internal number used in processing the wage determination. 07/01/2014 is the effective date of the most current negotiated rate, which in this example is July 1, 2014.

Union prevailing wage rates are updated to reflect all rate changes in the collective bargaining agreement (CBA) governing this classification and rate.

Survey Rate Identifiers

Classifications listed under the "SU" identifier indicate that no one rate prevailed for this classification in the survey and the published rate is derived by computing a weighted average rate based on all the rates reported in the survey for that classification. As this weighted average rate includes all rates reported in the survey, it may include both union and non-union rates. Example: SULA2012-007 5/13/2014. SU indicates the rates are survey rates based on a weighted average calculation of rates and are not majority rates. LA indicates the State of Louisiana. 2012 is the year of survey on which these classifications and rates are based. The next number, 007 in the example, is an internal number used in producing the wage determination. 5/13/2014 indicates the survey completion date for the classifications and rates under that identifier.

Survey wage rates are not updated and remain in effect until a new survey is conducted.

Union Average Rate Identifiers

Classification(s) listed under the UAVG identifier indicate that no single majority rate prevailed for those classifications; however, 100% of the data reported for the classifications was union data. EXAMPLE: UAVG-OH-0010 08/29/2014. UAVG indicates that the rate is a weighted union average rate. OH indicates the state. The next number, 0010 in the example, is an internal number used in producing the wage determination. 08/29/2014 indicates the survey completion date for the classifications and rates under that identifier.

A UAVG rate will be updated once a year, usually in January of each year, to reflect a weighted average of the current negotiated/CBA rate of the union locals from which the rate is based.

WAGE DETERMINATION APPEALS PROCESS

1.) Has there been an initial decision in the matter? This can be:

- * an existing published wage determination
- * a survey underlying a wage determination
- * a Wage and Hour Division letter setting forth a position on a wage determination matter
- * a conformance (additional classification and rate) ruling

On survey related matters, initial contact, including requests for summaries of surveys, should be with the Wage and Hour Regional Office for the area in which the survey was conducted because those Regional Offices have responsibility for the Davis-Bacon survey program. If the response from this initial contact is not satisfactory, then the process described in 2.) and 3.) should be followed.

With regard to any other matter not yet ripe for the formal process described here, initial contact should be with the Branch of Construction Wage Determinations. Write to:

Branch of Construction Wage Determinations
Wage and Hour Division
U.S. Department of Labor
200 Constitution Avenue, N.W.
Washington, DC 20210

2.) If the answer to the question in 1.) is yes, then an interested party (those affected by the action) can request review and reconsideration from the Wage and Hour Administrator (See 29 CFR Part 1.8 and 29 CFR Part 7). Write to:

Wage and Hour Administrator
U.S. Department of Labor
200 Constitution Avenue, N.W.
Washington, DC 20210

The request should be accompanied by a full statement of the interested party's position and by any information (wage payment data, project description, area practice material, etc.) that the requestor considers relevant to the issue.

3.) If the decision of the Administrator is not favorable, an interested party may appeal directly to the Administrative Review Board (formerly the Wage Appeals Board). Write to:

Administrative Review Board
U.S. Department of Labor
200 Constitution Avenue, N.W.
Washington, DC 20210

4.) All decisions by the Administrative Review Board are final.

=====

END OF GENERAL DECISION"

"General Decision Number: WV20200079 01/24/2020

Superseded General Decision Number: WV20190079

State: West Virginia

Construction Type: Heavy

Counties: Pleasants, Wirt and Wood Counties in West Virginia.

Note: Under Executive Order (EO) 13658, an hourly minimum wage of \$10.80 for calendar year 2020 applies to all contracts subject to the Davis-Bacon Act for which the contract is awarded (and any solicitation was issued) on or after January 1, 2015. If this contract is covered by the EO, the contractor must pay all workers in any classification listed on this wage determination at least \$10.80 per hour (or the applicable wage rate listed on this wage determination, if it is higher) for all hours spent performing on the contract in calendar year 2020. If this contract is covered by the EO and a classification considered necessary for performance of work on the contract does not appear on this wage determination, the contractor must pay workers in that classification at least the wage rate determined through the conformance process set forth in 29 CFR 5.5(a)(1)(ii) (or the EO minimum wage rate, if it is higher than the conformed wage rate). The EO minimum wage rate will be adjusted annually. Please note that this EO applies to the above-mentioned types of contracts entered into by the federal government that are subject to the Davis-Bacon Act itself, but it does not apply to contracts subject only to the Davis-Bacon Related Acts, including those set forth at 29 CFR 5.1(a)(2)-(60). Additional information on contractor requirements and worker protections under the EO is available at www.dol.gov/whd/govcontracts.

Modification Number	Publication Date
0	01/03/2020
1	01/24/2020

ENGI0132-026 12/01/2018

	Rates	Fringes
POWER EQUIPMENT OPERATOR:		
GROUP 1.....	\$ 35.95	18.60
GROUP 2.....	\$ 33.19	18.60

POWER EQUIPMENT OPERATOR CLASSIFICATIONS

GROUP 1: Crane (Tower), Loaders of six (6) cubic yard capacity and over, Excavators and shovels with an operating weight of one hundred ten thousand (110,000) pounds and over.

GROUP 2: Loaders up to six (6) cubic yard capacity, Backhoe,

Bulldozers, Compactor, Forklift, Grader/Blade, Mechanic, Excavators and shovels with an operating weight of up to one hundred ten thousand (110,000) pounds, Tractor, Trencher.

 * IRON0549-011 12/01/2018

	Rates	Fringes
IRONWORKER, ORNAMENTAL.....	\$ 33.34	20.81

 IRON0787-007 12/01/2018

	Rates	Fringes
IRONWORKER, REINFORCING.....	\$ 30.48	21.55

 LABO0379-038 12/01/2017

	Rates	Fringes
LABORER:		
GROUP 1.....	\$ 26.17	16.50
GROUP 2.....	\$ 25.11	16.50

GROUP 1: Air Tool Operator, Asphalt Raker, Bobcat Operator (Clean up/Demolition), Bushhammer, Chain Saw, Concrete Saw (Hand Held/Walk Behind), Concrete Worker, Hand Held Drill, Grade Checker, Guardrail Installation, Mason Tender-Cement/Concrete, Pipelayer, Skytrak Forklift Operator

GROUP 2: Carpenter Tender, Common or General, Flagger, Landscape, Water Boy

 * PAIN1144-006 12/01/2019

	Rates	Fringes
PAINTER: Spray.....	\$ 30.92	15.55

 PLAS0926-001 06/01/2018

	Rates	Fringes
CEMENT MASON/CONCRETE FINISHER...	\$ 31.63	21.26

 TEAM0175-006 12/07/2015

	Rates	Fringes
TRUCK DRIVER		
Flatbed Truck.....	\$ 30.98	15.98
Off the Road Truck.....	\$ 31.77	15.98
Tractor Haul Truck.....	\$ 31.77	15.98

 * UAVG-WV-0021 01/01/2019

	Rates	Fringes
LABORER (Mason Tender - Brick)...	\$ 26.17	16.50
LABORER (Mortar Mixer).....	\$ 26.17	16.50

* UAVG-WV-0022 01/01/2019

	Rates	Fringes
POWER EQUIPMENT OPERATOR (Drill).....	\$ 32.19	18.30

SUWV2012-077 08/13/2012

	Rates	Fringes
CARPENTER, Includes Form Work....	\$ 31.13	3.00
ELECTRICIAN.....	\$ 28.70	17.12
IRONWORKER, STRUCTURAL.....	\$ 37.02	3.00
OPERATOR: Bobcat/Skid Steer/Skid Loader.....	\$ 21.49	13.15
OPERATOR: Boom.....	\$ 28.91	10.49
OPERATOR: Concrete Pump.....	\$ 26.79	9.35
OPERATOR: Crane.....	\$ 26.85	13.52
OPERATOR: Oiler.....	\$ 21.44	14.42
OPERATOR: Paver (Asphalt, Aggregate, and Concrete).....	\$ 24.39	15.50
OPERATOR: Roller.....	\$ 23.49	14.88
Truck Driver, Dump (Excluding Off the Road Trucks).....	\$ 22.34	13.31

WELDERS - Receive rate prescribed for craft performing
operation to which welding is incidental.

=====

Note: Executive Order (EO) 13706, Establishing Paid Sick Leave for Federal Contractors applies to all contracts subject to the Davis-Bacon Act for which the contract is awarded (and any solicitation was issued) on or after January 1, 2017. If this contract is covered by the EO, the contractor must provide employees with 1 hour of paid sick leave for every 30 hours they work, up to 56 hours of paid sick leave each year. Employees must be permitted to use paid sick leave for their own illness, injury or other health-related needs, including preventive care; to assist a family member (or person who is

like family to the employee) who is ill, injured, or has other health-related needs, including preventive care; or for reasons resulting from, or to assist a family member (or person who is like family to the employee) who is a victim of, domestic violence, sexual assault, or stalking. Additional information on contractor requirements and worker protections under the EO is available at www.dol.gov/whd/govcontracts.

Unlisted classifications needed for work not included within the scope of the classifications listed may be added after award only as provided in the labor standards contract clauses (29CFR 5.5 (a) (1) (ii)).

The body of each wage determination lists the classification and wage rates that have been found to be prevailing for the cited type(s) of construction in the area covered by the wage determination. The classifications are listed in alphabetical order of ""identifiers"" that indicate whether the particular rate is a union rate (current union negotiated rate for local), a survey rate (weighted average rate) or a union average rate (weighted union average rate).

Union Rate Identifiers

A four letter classification abbreviation identifier enclosed in dotted lines beginning with characters other than ""SU"" or ""UAVG"" denotes that the union classification and rate were prevailing for that classification in the survey. Example: PLUM0198-005 07/01/2014. PLUM is an abbreviation identifier of the union which prevailed in the survey for this classification, which in this example would be Plumbers. 0198 indicates the local union number or district council number where applicable, i.e., Plumbers Local 0198. The next number, 005 in the example, is an internal number used in processing the wage determination. 07/01/2014 is the effective date of the most current negotiated rate, which in this example is July 1, 2014.

Union prevailing wage rates are updated to reflect all rate changes in the collective bargaining agreement (CBA) governing this classification and rate.

Survey Rate Identifiers

Classifications listed under the ""SU"" identifier indicate that no one rate prevailed for this classification in the survey and the published rate is derived by computing a weighted average rate based on all the rates reported in the survey for that classification. As this weighted average rate includes all rates reported in the survey, it may include both union and non-union rates. Example: SULA2012-007 5/13/2014. SU indicates the rates are survey rates based on a weighted average calculation of rates and are not majority rates. LA indicates the State of Louisiana. 2012 is the year of survey on which

these classifications and rates are based. The next number, 007 in the example, is an internal number used in producing the wage determination. 5/13/2014 indicates the survey completion date for the classifications and rates under that identifier.

Survey wage rates are not updated and remain in effect until a new survey is conducted.

Union Average Rate Identifiers

Classification(s) listed under the UAVG identifier indicate that no single majority rate prevailed for those classifications; however, 100% of the data reported for the classifications was union data. EXAMPLE: UAVG-OH-0010 08/29/2014. UAVG indicates that the rate is a weighted union average rate. OH indicates the state. The next number, 0010 in the example, is an internal number used in producing the wage determination. 08/29/2014 indicates the survey completion date for the classifications and rates under that identifier.

A UAVG rate will be updated once a year, usually in January of each year, to reflect a weighted average of the current negotiated/CBA rate of the union locals from which the rate is based.

WAGE DETERMINATION APPEALS PROCESS

1.) Has there been an initial decision in the matter? This can be:

- * an existing published wage determination
- * a survey underlying a wage determination
- * a Wage and Hour Division letter setting forth a position on a wage determination matter
- * a conformance (additional classification and rate) ruling

On survey related matters, initial contact, including requests for summaries of surveys, should be with the Wage and Hour Regional Office for the area in which the survey was conducted because those Regional Offices have responsibility for the Davis-Bacon survey program. If the response from this initial contact is not satisfactory, then the process described in 2.) and 3.) should be followed.

With regard to any other matter not yet ripe for the formal process described here, initial contact should be with the Branch of Construction Wage Determinations. Write to:

Branch of Construction Wage Determinations
Wage and Hour Division
U.S. Department of Labor
200 Constitution Avenue, N.W.
Washington, DC 20210

2.) If the answer to the question in 1.) is yes, then an interested party (those affected by the action) can request review and reconsideration from the Wage and Hour Administrator (See 29 CFR Part 1.8 and 29 CFR Part 7). Write to:

Wage and Hour Administrator
U.S. Department of Labor
200 Constitution Avenue, N.W.
Washington, DC 20210

The request should be accompanied by a full statement of the interested party's position and by any information (wage payment data, project description, area practice material, etc.) that the requestor considers relevant to the issue.

3.) If the decision of the Administrator is not favorable, an interested party may appeal directly to the Administrative Review Board (formerly the Wage Appeals Board). Write to:

Administrative Review Board
U.S. Department of Labor
200 Constitution Avenue, N.W.
Washington, DC 20210

4.) All decisions by the Administrative Review Board are final.

=====

END OF GENERAL DECISION"

"General Decision Number: WV20200080 01/03/2020

Superseded General Decision Number: WV20190080

State: West Virginia

Construction Type: Highway

Counties: West Virginia Statewide.

HIGHWAY CONSTRUCTION PROJECTS (excluding tunnels, building structures in rest area projects & railroad construction; bascule, suspension & spandrel arch bridges designed for commercial navigation, bridges involving marine construction; and other major bridges).HIGHWAY CONSTRUCTION PROJECTS

Note: Under Executive Order (EO) 13658, an hourly minimum wage of \$10.80 for calendar year 2020 applies to all contracts subject to the Davis-Bacon Act for which the contract is awarded (and any solicitation was issued) on or after January 1, 2015. If this contract is covered by the EO, the contractor must pay all workers in any classification listed on this wage determination at least \$10.80 per hour (or the applicable wage rate listed on this wage determination, if it is higher) for all hours spent performing on the contract in calendar year 2020. If this contract is covered by the EO and a classification considered necessary for performance of work on the contract does not appear on this wage determination, the contractor must pay workers in that classification at least the wage rate determined through the conformance process set forth in 29 CFR 5.5(a)(1)(ii) (or the EO minimum wage rate, if it is higher than the conformed wage rate). The EO minimum wage rate will be adjusted annually. Please note that this EO applies to the above-mentioned types of contracts entered into by the federal government that are subject to the Davis-Bacon Act itself, but it does not apply to contracts subject only to the Davis-Bacon Related Acts, including those set forth at 29 CFR 5.1(a)(2)-(60). Additional information on contractor requirements and worker protections under the EO is available at www.dol.gov/whd/govcontracts.

Modification Number	Publication Date
0	01/03/2020

SUWV2015-001 01/01/2014

Rates	Fringes
-------	---------

BRICKLAYER

Barbour, Berkeley,
Doddridge, Gilmer, Grant,

Hampshire, Hardy, Harrison, Jefferson, Lewis, Marion, Mineral, Monongalia, Morgan, Pendleton, Pocahontas, Preston, Randolph, Taylor, Tucker, Upshur, Webster.....\$ 30.74	18.21
Boone, Braxton, Clay, Fayette, Greenbrier, Kanawha, Logan, McDowell, Mercer, Monroe, Nicholas, Putnam, Raleigh, Summers, Wyoming.....\$ 29.66	20.20
Brooke, Hancock.....\$ 29.94	16.22
Cabell, Lincoln, Mason, Mingo, Wayne.....\$ 30.61	20.88
Calhoun, Jackson, Pleasants, Ritchie, Roane, Wirt, Wood.....\$ 30.33	15.27
Marshall, Ohio, Tyler, Wetzel.....\$ 30.01	16.26

CARPENTER

Berkeley, Grant, Hampshire, Hardy, Jefferson, Mineral, Morgan, Pendleton.....\$ 31.26	15.90
Brooke, Hancock, Marshall, Ohio.....\$ 27.86	19.30
Remaining Counties.....\$ 27.72	19.44

CEMENT MASON/CONCRETE FINISHER

All Counties.....\$ 28.67	18.85
---------------------------	-------

DIVER

Berkeley, Grant, Hampshire, Hardy, Jefferson, Mineral, Morgan, Pendleton Diver Tender.....\$ 31.26	15.90
Diver.....\$ 32.25	15.90
Brooke, Hancock, Marshall, Monongalia, Ohio, Wetzel Diver Tender.....\$ 32.01	16.76
Diver.....\$ 48.02	16.76
Remaining Counties Diver Tender.....\$ 27.72	19.44
Diver.....\$ 28.27	19.44

ELECTRICIAN (SIGNAL &
LIGHTING)

Equipment Operator.....\$ 23.30	17.99
Flagger.....\$ 17.00	7.39
Groundman/Truck Driver.....\$ 20.79	17.89
Installer.....\$ 26.21	18.11
Technician.....\$ 29.12	18.22

ELECTRICIAN

Barbour, Doddridge, Harrison, Lewis, Marion, Monongalia, Pendleton, Pocahontas, Preston, Randolph, Taylor, Tucker, Upshur.....	\$ 30.14	21.14
Berkeley, Grant, Hampshire, Hardy, Jefferson, Mineral, Morgan..	\$ 30.50	15.78
Boone, Braxton, Calhoun, Clay, Fayette, Gilmer, Kanawha, Nicholas, Putnam, Raleigh, Roane, Summers, Webster, Wyoming.....	\$ 35.34	16.62
Brooke, Marshall, Ohio, Wetzel.....	\$ 28.35	22.74
Cabell, Lincoln, Logan, Mason, Mingo, Wayne.....	\$ 32.62	21.70
Greenbrier, McDowell, Mercer, Monroe.....	\$ 25.05	16.32
Hancock.....	\$ 34.00	29.10
Jackson, Pleasants, Ritchie, Tyler, Wirt, Wood..	\$ 31.56	21.43

IRONWORKER

Barbour, Brooke, Hancock, Harrison, Marion, Marshall, Monongalia, Ohio, Taylor, Tyler, Wetzel..	\$ 35.74	22.84
Berkeley, Grant, Hampshire, Hardy, Jefferson, Mineral, Morgan, Pendleton, Preston, Tucker.....	\$ 33.29	17.39
Boone, Braxton, Clay, Fayette, Kanawha, Lincoln, Logan, McDowell, Mingo, Nicholas, Putnam, Raleigh, Randolph, Webster, Wyoming..	\$ 34.87	19.50
Cabell, Wayne.....	\$ 33.89	21.98
Calhoun, Doddridge, Gilmer, Jackson, Lewis, Mason, Pleasants, Ritchie, Roane, Upshur, Wirt, Wood...	\$ 33.02	20.10
Greenbrier, Mercer, Monroe, Pocahontas, Summers..	\$ 35.43	16.13

LABORER

Class 1.....	\$ 26.95	16.30
Class 2.....	\$ 25.92	16.30
Class 3.....	\$ 24.86	16.30

LABORER CLASSIFICATIONS:

GROUP 1: Powderman, Laser Screed Operator, and GPS Operator.

GROUP 2: Pipelayer (Including Laser Beam Set Up), Form Setter (Road), Drill Operator, Air Tool Operator, Grade Checker and Asphalt Raker, Vibrator Man, Whacker, Chainsaw Operator,

Mortarman, Brick Mason Tender, Cement Finisher Tender, Drill Tender, Powderman Tender, Water Proofer, Sheeter & Shorer, Placement of Lagging, Pipelayer Tender, Bull-Float Man, Pavement Reinforcing Placer, Handyman, Signal Man, Greencutter, Georgia Power Buggie, Burner, Cement Blower Man, Bituminous Hand Sprayer, Bork 250 Remote Control Ditch Witch and Walk Behind Concrete Saw, Mulcher and Seeder (hand and machine), Installation of Ground Mounted Beams and Signs including Concrete Footers, Installation of Overhead Sign Supports and Signs including Concrete Footers, Installation of Guardrail and Anchors Assemblies, Tree Trimmer, Caisson Bottom Man, Bush Hammering, Core Drilling, Placement and Mixing of Grout and Bridge Demolition Specialist.**

GROUP 3: Flag Person, Traffic Control Maintenance Person, Carpenter's Tender, and General Laborer.

PAINTER

Barbour, Berkeley,		
Doddridge, Gilmer, Grant,		
Hampshire, Hardy,		
Harrison, Jefferson,		
Lewis, Marion, Mineral,		
Monongalia, Morgan,		
Pendleton, Preston,		
Randolph, Taylor, Tucker,		
Upshur, Webster.....\$ 31.87		14.20
Boone, Braxton, Cabell,		
Calhoun, Clay, Fayette,		
Greenbrier, Kanawha,		
Lincoln, Logan, Mason,		
McDowell, Mercer, Mingo,		
Monroe, Nicholas,		
Pocahontas, Putnam,		
Raleigh, Summers, Wayne,		
Wyoming.....\$ 32.05		14.30
Brooke, Hancock, Marshall,		
Ohio, Wetzel.....\$ 30.95		14.36
Jackson, Pleasants,		
Ritchie, Roane, Tyler,		
Wirt, Wood.....\$ 30.84		14.30

PILEDRIVERMAN

Berkeley, Grant,		
Hampshire, Hardy,		
Jefferson, Mineral,		
Morgan, Pendleton.....\$ 32.25		15.90
Brooke, Hancock, Marshall,		
Monongalia, Ohio, Wetzel....\$ 32.01		16.76
Remaining Counties.....\$ 28.27		19.44

POWER EQUIPMENT OPERATOR:

Class 1.....\$ 33.25		18.60
Class 2.....\$ 30.49		18.60
Class 3.....\$ 29.38		18.60
Class 4.....\$ 25.92		18.60
Class 5A.....\$ 26.04		18.60
Class 5B.....\$ 28.64		18.60

Class 5C.....\$ 26.94 18.60
POWER EQUIPMENT OPERATOR CLASSIFICATIONS:

GROUP 1: Cranes, tower cranes, derricks, derrick boats, draglines, clamshells, cableways, boom truck, loaders of 6 cubic yard capacity and over, excavators and shovels with an operating weight of 110,000 pounds and over.

GROUP 2: Loaders up to 6 cubic yard capacity, gradall, hoist 2 drums or more, mixer plant (2 or more mixers including batch control), pile driver operator, core drill, trencher, backhoe, asphalt paver, cement paver, rotary drill, bulldozers, concrete pump, controlled fine grade machine, slip form paver, log loader, log skidder, motor grader, rubber tired scraper, tractor pan, Roto Miller, tow or work boat, mobile conveyor, transloader, articulating equipment, material hauler, carry deck, compactor with blade, skidsteer including attachments, fork lift, self-propelled concrete spreader, concrete finishing machine, derrick (single drum), hoist (single drum), single drum paver, air tugger, Ross Carrier, multiple concrete saw, hydraulic post driver, horizontal road-boring machine, tie distributor, track lining machine, ballast tamper, anchor application machine, ribbon rail puller, ballast regulator, auto sled, turn table, pavement breaker, asphalt batch plant, concrete batch plant, crushing plant, compactor with blade, power broom, vac-all truck, self-propelled concrete spreader and concrete finishing machine, mechanics with tools and greasers, excavators, and shovels with an operating weight of up to 110,000 pounds.

GROUP 3: Asphalt roller

GROUP 4: Air compressor, concrete mixer (under 1 cubic yard), light plant, mechanic's tender, assistant engineer, screedman, spreader box man, joint sealer and pump, steam jenny, stationary conveyor (belt or bucket), A-frame, tire man, screening and washing plant, form sub-grader, power form handling equipment, burlap and curing machine, form grader, bull float, bar and joint installing machine, roller and compactor, hydroblaster, concrete mixer (single drum, 1 cu. yd. or over), portable concrete saw and highway striping operator. Utility operators shall be paid Group 2 rate when operating 1 to 5 air compressors, pumps, stationary conveyors (belt or bucket), light plants, and gasoline or diesel powered welders and all farm type tractors.

GROUP 5A: Those operating off-road trucks in the following counties: Barbour, Braxton, Boone, Calhoun, Clay, Doddridge, Fayette, Gilmer, Greenbrier, Harrison, Jackson, Kanawha, Lewis, Marion, Mercer, McDowell, Monongalia, Monroe, Nicholas, Pleasants, Pocohontas, Preston, Putnam, Raleigh, Randolph, Roane, Ritchie, Summers, Taylor, Tucker, Tyler, Upshur, Webster, Wirt, Wood, and Wyoming.

GROUP 5B: Those operating off-road trucks in the following counties: Cabell, Lincoln, Logan, Mason, Mingo, and Wayne.

GROUP 5C: Those operating off-road trucks in the following

counties: Berkeley, Grant, Hampshire, Hardy, Jefferson, Mineral, Morgan and Pendleton.

FOOTNOTE: \$2.00 per hour shall be added to the Group 1 rate for individuals operating a lattice boom crane with a fixed boom of 150 feet or more. \$0.25 per hour shall be added to all of the above schedules for underground work.

TRUCK DRIVER

Berkeley, Grant, Hampshire, Hardy, Jefferson, Mineral, Morgan, Pendleton		
Class 1.....	\$ 25.72	18.11
Class 2.....	\$ 26.61	18.11
Class 3.....	\$ 27.38	18.11
Brooke, Hancock		
Class 1.....	\$ 29.17	13.86
Class 2.....	\$ 30.92	13.86
Class 3.....	\$ 31.71	13.86
Cabell, Lincoln, Logan, Mason, Mingo, Wayne		
Class 1.....	\$ 29.79	15.60
Class 2.....	\$ 30.76	15.60
Class 3.....	\$ 31.55	15.60
Marshall, Ohio, Wetzel		
Class 1.....	\$ 26.26	16.81
Class 2.....	\$ 27.16	16.81
Class 3.....	\$ 27.76	16.81
Remaining Counties		
Class 1.....	\$ 26.97	16.15
Class 2.....	\$ 27.76	16.15
Class 3.....	\$ 28.44	16.15

TRUCK DRIVER CLASSIFICATIONS:

GROUP 1: Single Axle Trucks used as Dumps, Supply, Fuel, Water, Van, Flatbody, Monorail, Distributor (other than Bituminous Distributors) including Towed Single Units, Material Checkers and Receivers, Greasers, Tireman and Mechanic Tenders (Trucks), Warehouse, Yardmen and Pick-up trucks.

GROUP 2: Tandem and Tri-Axle Trucks used as Dumps, Supply, Fuel, Water, Van, Flatbody, Monorail and including Towed Single Units, Truck Tractors used in combination with Dump, Van, Tank, Flatbed, Low platform or Pole Trailers, Bituminous Distributors, Agitator or Mixer Trucks (up to 20 cubic-yards), Rubber-tired tractors (towing and pushing), Drag and Tag-alongs.

GROUP 3: Mobile Metered Mixer, Agitator or Mixer Trucks (over 20 cubic yards), & Mechanic Truck.

A. Double Hitch equipment operated by 1 driver shall pay 50% more than the wages set out above.

B. \$0.25 per hour shall be added for tunneling and all other underground work.

WELDERS - Receive rate prescribed for craft performing operation to which welding is incidental.

=====
Note: Executive Order (EO) 13706, Establishing Paid Sick Leave for Federal Contractors applies to all contracts subject to the Davis-Bacon Act for which the contract is awarded (and any solicitation was issued) on or after January 1, 2017. If this contract is covered by the EO, the contractor must provide employees with 1 hour of paid sick leave for every 30 hours they work, up to 56 hours of paid sick leave each year. Employees must be permitted to use paid sick leave for their own illness, injury or other health-related needs, including preventive care; to assist a family member (or person who is like family to the employee) who is ill, injured, or has other health-related needs, including preventive care; or for reasons resulting from, or to assist a family member (or person who is like family to the employee) who is a victim of, domestic violence, sexual assault, or stalking. Additional information on contractor requirements and worker protections under the EO is available at www.dol.gov/whd/govcontracts.

Unlisted classifications needed for work not included within the scope of the classifications listed may be added after award only as provided in the labor standards contract clauses (29CFR 5.5 (a) (1) (ii)).

The body of each wage determination lists the classification and wage rates that have been found to be prevailing for the cited type(s) of construction in the area covered by the wage determination. The classifications are listed in alphabetical order of ""identifiers"" that indicate whether the particular rate is a union rate (current union negotiated rate for local), a survey rate (weighted average rate) or a union average rate (weighted union average rate).

Union Rate Identifiers

A four letter classification abbreviation identifier enclosed in dotted lines beginning with characters other than ""SU"" or ""UAVG"" denotes that the union classification and rate were prevailing for that classification in the survey. Example: PLUM0198-005 07/01/2014. PLUM is an abbreviation identifier of the union which prevailed in the survey for this classification, which in this example would be Plumbers. 0198 indicates the local union number or district council number where applicable, i.e., Plumbers Local 0198. The next number, 005 in the example, is an internal number used in processing the wage determination. 07/01/2014 is the effective date of the most current negotiated rate, which in this example is July 1, 2014.

Union prevailing wage rates are updated to reflect all rate changes in the collective bargaining agreement (CBA) governing this classification and rate.

Survey Rate Identifiers

Classifications listed under the "SU" identifier indicate that no one rate prevailed for this classification in the survey and the published rate is derived by computing a weighted average rate based on all the rates reported in the survey for that classification. As this weighted average rate includes all rates reported in the survey, it may include both union and non-union rates. Example: SULA2012-007 5/13/2014. SU indicates the rates are survey rates based on a weighted average calculation of rates and are not majority rates. LA indicates the State of Louisiana. 2012 is the year of survey on which these classifications and rates are based. The next number, 007 in the example, is an internal number used in producing the wage determination. 5/13/2014 indicates the survey completion date for the classifications and rates under that identifier.

Survey wage rates are not updated and remain in effect until a new survey is conducted.

Union Average Rate Identifiers

Classification(s) listed under the UAVG identifier indicate that no single majority rate prevailed for those classifications; however, 100% of the data reported for the classifications was union data. EXAMPLE: UAVG-OH-0010 08/29/2014. UAVG indicates that the rate is a weighted union average rate. OH indicates the state. The next number, 0010 in the example, is an internal number used in producing the wage determination. 08/29/2014 indicates the survey completion date for the classifications and rates under that identifier.

A UAVG rate will be updated once a year, usually in January of each year, to reflect a weighted average of the current negotiated/CBA rate of the union locals from which the rate is based.

WAGE DETERMINATION APPEALS PROCESS

1.) Has there been an initial decision in the matter? This can be:

- * an existing published wage determination
- * a survey underlying a wage determination
- * a Wage and Hour Division letter setting forth a position on a wage determination matter
- * a conformance (additional classification and rate) ruling

On survey related matters, initial contact, including requests

for summaries of surveys, should be with the Wage and Hour Regional Office for the area in which the survey was conducted because those Regional Offices have responsibility for the Davis-Bacon survey program. If the response from this initial contact is not satisfactory, then the process described in 2.) and 3.) should be followed.

With regard to any other matter not yet ripe for the formal process described here, initial contact should be with the Branch of Construction Wage Determinations. Write to:

Branch of Construction Wage Determinations
Wage and Hour Division
U.S. Department of Labor
200 Constitution Avenue, N.W.
Washington, DC 20210

2.) If the answer to the question in 1.) is yes, then an interested party (those affected by the action) can request review and reconsideration from the Wage and Hour Administrator (See 29 CFR Part 1.8 and 29 CFR Part 7). Write to:

Wage and Hour Administrator
U.S. Department of Labor
200 Constitution Avenue, N.W.
Washington, DC 20210

The request should be accompanied by a full statement of the interested party's position and by any information (wage payment data, project description, area practice material, etc.) that the requestor considers relevant to the issue.

3.) If the decision of the Administrator is not favorable, an interested party may appeal directly to the Administrative Review Board (formerly the Wage Appeals Board). Write to:

Administrative Review Board
U.S. Department of Labor
200 Constitution Avenue, N.W.
Washington, DC 20210

4.) All decisions by the Administrative Review Board are final.

=====
END OF GENERAL DECISION

..